

SCHLAUCHARMATUREN MIT AUSREISSICHERUNG - INTERLOCK SERIE HOSE COUPLINGS WITH WIRE TRAP AREA - INTERLOCK SERIES

INTERLOCK-FASSUNGEN	INTERLOCK-FERRULES	3.3
INTERLOCK-FASSUNGEN	INTERLOCK-FERRULES	3.4
INTERLOCK-ARMATUREN - SFL + SFS - FLANSCH - GERADE	INTERLOCK-FITTINGS - SFL + SFS - FLANGE - STRAIGHT	3.5
INTERLOCK-ARMATUREN - SFL + SFS - FLANSCH - 45°-BOGEN	INTERLOCK-FITTINGS - SFL + SFS - FLANGE - 45°-ELBOW	3.6
INTERLOCK-ARMATUREN - SFL + SFS - FLANSCH - 90°-BOGEN	INTERLOCK-FITTINGS - SFL + SFS - FLANGE - 90°-ELBOW	3.7
INTERLOCK-ARMATUREN - DKOS + DKOL	INTERLOCK-FITTINGS - DKOS + DKOL	3.8
INTERLOCK-ARMATUREN - DKOS - 45°+90°-BOGEN	INTERLOCK-FITTINGS - DKOS - 45°+90°-ELBOW	3.9
INTERLOCK-ARMATUREN - DKOL - 45°+90°-BOGEN	INTERLOCK-FITTINGS - DKOL - 45°+90°-ELBOW	3.10
INTERLOCK-ARMATUREN - JIC - 37° - NIPPEL - GERADE	INTERLOCK-FITTINGS - JIC - 37° - NIPPLES - STRAIGHT	3.11
INTERLOCK-ARMATUREN - JIC - 37° - NIPPEL - 45°+90°-BOGEN	INTERLOCK-FITTINGS - JIC - 37° - NIPPLES - 45°+90°-ELBOW	3.12
INTERLOCK-ARMATUREN - DKOR - 60° - NIPPEL - GERADE	INTERLOCK-FITTINGS - DKOR - 60° - NIPPLES - STRAIGHT	3.13
INTERLOCK-ARMATUREN - DKOR - 60° - NIPPEL - 45°+90°-BOGEN	INTERLOCK-FITTINGS - DKOR - 60° - NIPPLES - 45°+90°-ELBOW	3.14
INTERLOCK-ARMATUREN - CES - NIPPEL - 24°-KONUS	INTERLOCK-FITTINGS - CES - MALE NIPPLES - 24°-CONE	3.15
INTERLOCK-AUSSENGEWINDE-NIPPEL - AGR - 60°-KONUS	INTERLOCK-MALE-NIPPLES - AGR - 60°-CONE	3.15
INTERLOCK-ARMATUREN - JIC - AUSSENGEWINDE-NIPPEL - 74°-KONUS	INTERLOCK-FITTINGS - JIC - MALE NIPPLES - 74°-CONE	3.16
INTERLOCK-NPT-AUSSEN-GEWINDE - AGN - NIPPEL	INTERLOCK-NPT-MALE - AGN - NIPPLES	3.16

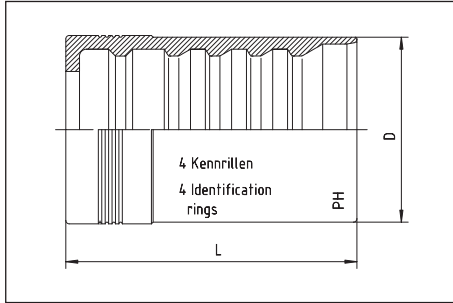
INTERLOCK-FASSUNGEN



INTERLOCK-FERRULES

mit Ausreißsicherung - schwere Reihe
Interlock-Serie

außen und innen schälen



Zu verwenden für Nippel Seite 3.5 - 3.16

with wire trap area - heavy series
Interlock-series

external and internal skive

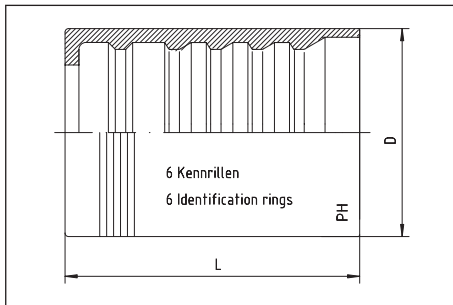


To use for nipples page 3.5 - 3.16

Schlauch Hose DN	DN Bore in.	D	L	für Schlauchtyp for hose type	Bestellzeichen Order-Code
19	3/4"	38	56	4 SP + 4 SH	P4-I-DN 19
25	1"	46	75	4 SP + 4 SH + R 12	P4-I-DN 25
31	1 1/4"	55	85	4 SH	P4-I-DN 31
38	1 1/2"	64	100	4 SH	P4-I-DN 38
51	2"	78	103	4 SH	P4-I-DN 51

mit Ausreißsicherung - schwere Reihe
Interlock-Serie

außen und innen schälen



Zu verwenden für Nippel Seite 3.5 - 3.16

with wire trap area - heavy series
Interlock-series

external and internal skive



To use for nipples page 3.5 - 3.16

Schlauch Hose DN	DN Bore in.	D	L	für Schlauchtyp for hose type	Bestellzeichen Order-Code
19	3/4"	38,0	56	R 13	P6-I-DN 19
25	1"	46,0	75	R 13	P6-I-DN 25
31	1 1/4"	60,0	85	R 13	P6-I-DN 31
38	1 1/2"	70,0	100	R 13	P6-I-DN 38
51	2"	84,5	103	R 13	P6-I-DN 51

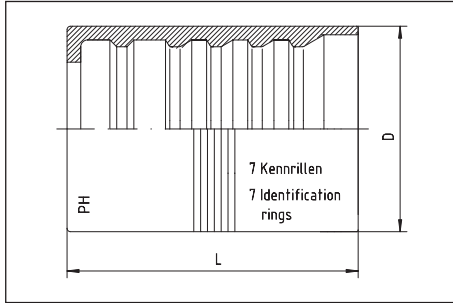
INTERLOCK-FASSUNGEN



INTERLOCK-FERRULES

mit Ausreißsicherung - schwere Reihe
Interlock-Serie

außen und innen schälen



Zu verwenden für Nippel Seite 3.5 - 3.16

with wire trap area - heavy series
Interlock-series

external and internal skive



To use for nipples page 3.5 - 3.16

Schlauch Hose DN	DN Bore in.	D	L	für Schlauchtyp for hose type	Bestellzeichen Order-Code
19	3/4"	38	56	R 15	P7-I-DN 19
25	1"	46	71	R 15	P7-I-DN 25
31	1 1/4"	60	85	R 15	P7-I-DN 31
38	1 1/2"	70	100	R 15	P7-I-DN 38

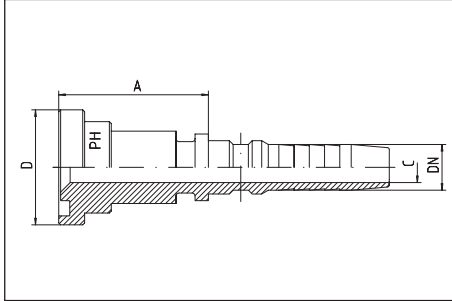
INTERLOCK-ARMATUREN



INTERLOCK-FITTINGS

mit Ausreißsicherung - schwere Reihe
 Interlock-Serie
 SAE-ISO-Flansch
 SFL 3 = 3000 PSI - gerade
 SFS 6 = 6000 PSI - gerade

with wire trap area - heavy series
 Interlock-series
 SAE-ISO-flange
 SFL 3 = 3000 PSI - straight
 SFS 6 = 6000 PSI - straight

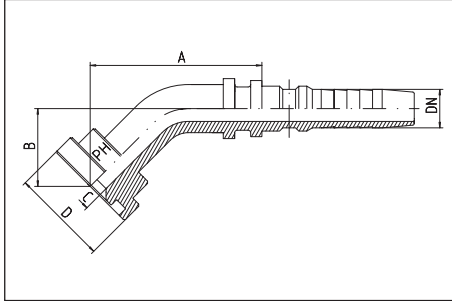


Schlauch Hose DN	DN Bore in.	Flanschgröße Flange dimensions		ca. Maße approx. dimensions			Bestellzeichen Order-Code
		D	in.	A		C	
19	3/4"	38,1	3/4"	41,0		14,5	I-SFL3-3/4"-DN 19
19	3/4"	44,5	1"	44,5		14,5	I-SFL3-1"-DN 19
25	1"	44,5	1"	52,5		20,0	I-SFL3-1"-DN 25
25	1"	50,8	1 1/4"	53,0		20,0	I-SFL3-1 1/4"-DN 25
31	1 1/4"	50,8	1 1/4"	53,0		25,0	I-SFL3-1 1/4"-DN 31
31	1 1/4"	60,3	1 1/2"	50,5		25,0	I-SFL3-1 1/2"-DN 31
38	1 1/2"	60,3	1 1/2"	77,5		31,5	I-SFL3-1 1/2"-DN 38
38	1 1/2"	71,4	2"	72,0		31,5	I-SFL3-2"-DN 38
51	2"	71,4	2"	72,0		42,0	I-SFL3-2"-DN 51
19	3/4"	41,3	3/4"	52,0		14,5	I-SFS6-3/4"-DN 19
19	3/4"	47,6	1"	44,5		14,5	I-SFS6-1"-DN 19
25	1"	47,6	1"	64,0		20,0	I-SFS6-1"-DN 25
25	1"	54,0	1 1/4"	54,5		20,0	I-SFS6-1 1/4"-DN 25
31	1 1/4"	54,0	1 1/4"	75,0		25,0	I-SFS6-1 1/4"-DN 31
31	1 1/4"	63,5	1 1/2"	75,5		25,0	I-SFS6-1 1/2"-DN 31
38	1 1/2"	63,5	1 1/2"	103,0		31,5	I-SFS6-1 1/2"-DN 38
38	1 1/2"	79,4	2"	75,0		31,5	I-SFS6-2"-DN 38
51	2"	79,4	2"	85,0		42,0	I-SFS6-2"-DN 51

andere Größen auf Anfrage
 other sizes on request

mit Ausreißsicherung - schwere Reihe
 Interlock-Serie
 SAE-ISO-Flansch
 SFL 3 = 3000 PSI - 45°-Bogen
 SFS 6 = 6000 PSI - 45°-Bogen

with wire trap area - heavy series
 Interlock-series
 SAE-ISO-flange
 SFL 3 = 3000 PSI - 45°-elbow
 SFS 6 = 6000 PSI - 45°-elbow



Schlauch Hose DN	DN Bore in.	Flanschgröße Flange dimensions		ca. Maße approx. dimensions			Bestellzeichen Order-Code
		D	in.	A	B	C	
19	3/4"	38,1	3/4"	87,0	38,0	14,5	I-SFL3-3/4"-45°-DN 19
19	3/4"	44,5	1"	89,0	39,5	14,5	I-SFL3-1"-45°-DN 19
25	1"	44,5	1"	92,0	39,0	20,0	I-SFL3-1"-45°-DN 25
25	1"	50,8	1 1/4"	117,0	44,0	20,0	I-SFL3-1 1/4"-45°-DN 25
31	1 1/4"	50,8	1 1/4"	110,0	45,0	25,0	I-SFL3-1 1/4"-45°-DN 31
31	1 1/4"	60,3	1 1/2"	137,0	46,0	25,0	I-SFL3-1 1/2"-45°-DN 31
38	1 1/2"	60,3	1 1/2"	133,0	49,0	31,0	I-SFL3-1 1/2"-45°-DN 38
38	1 1/2"	71,4	2"	141,5	60,0	31,0	I-SFL3-2"-45°-DN 38
51	2"	71,4	2"	155,0	65,0	41,0	I-SFL3-2"-45°-DN 51
19	3/4"	41,3	3/4"	88,0	38,0	14,5	I-SFS6-3/4"-45°-DN 19
19	3/4"	47,6	1"	90,0	40,0	14,5	I-SFS6-1"-45°-DN 19
25	1"	47,6	1"	92,0	40,0	20,0	I-SFS6-1"-45°-DN 25
25	1"	54,0	1 1/4"	120,0	44,0	20,0	I-SFS6-1 1/4"-45°-DN 25
31	1 1/4"	54,0	1 1/4"	110,0	46,0	25,0	I-SFS6-1 1/4"-45°-DN 31
31	1 1/4"	63,5	1 1/2"	137,0	48,0	25,0	I-SFS6-1 1/2"-45°-DN 31
38	1 1/2"	63,5	1 1/2"	133,0	48,0	31,0	I-SFS6-1 1/2"-45°-DN 38
38	1 1/2"	79,4	2"	143,0	65,0	31,0	I-SFS6-2"-45°-DN 38
51	2"	79,4	2"	155,0	65,0	41,0	I-SFS6-2"-45°-DN 51

andere Größen auf Anfrage
 other sizes on request

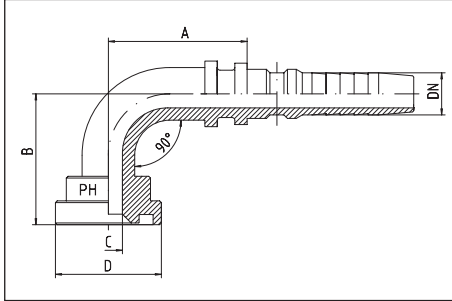
INTERLOCK-ARMATUREN



INTERLOCK-FITTINGS

mit Ausreißsicherung - schwere Reihe
 Interlock-Serie
 SAE-ISO-Flansch
 SFL 3 = 3000 PSI - 90°-Bogen
 SFS 6 = 6000 PSI - 90°-Bogen

with wire trap area - heavy series
 Interlock-series
 SAE-ISO-flange
 SFL 3 = 3000 PSI - 90°-elbow
 SFS 6 = 6000 PSI - 90°-elbow



Schlauch Hose DN	DN Bore in.	Flanschgröße Flange dimensions		ca. Maße approx. dimensions			Bestellzeichen Order-Code
		D	in.	A	B	C	
19	3/4"	38,1	3/4"	74,5	71,0	14,5	I-SFL3-3/4"-90°-DN 19
19	3/4"	44,5	1"	77,0	71,0	14,5	I-SFL3-1"-90°-DN 19
25	1"	44,5	1"	82,0	75,0	20,0	I-SFL3-1"-90°-DN 25
25	1"	50,8	1 1/4"	105,0	88,0	20,0	I-SFL3-1 1/4"-90°-DN 25
31	1 1/4"	50,8	1 1/4"	102,0	91,5	25,0	I-SFL3-1 1/4"-90°-DN 31
31	1 1/4"	60,3	1 1/2"	123,0	95,0	25,0	I-SFL3-1 1/2"-90°-DN 31
38	1 1/2"	60,3	1 1/2"	122,5	105,0	31,0	I-SFL3-1 1/2"-90°-DN 38
38	1 1/2"	71,4	2"	124,0	121,0	31,0	I-SFL3-2"-90°-DN 38
51	2"	71,4	2"	144,0	137,0	41,0	I-SFL3-2"-90°-DN 51
19	3/4"	41,3	3/4"	74,5	71,0	14,5	I-SFS6-3/4"-90°-DN 19
19	3/4"	47,6	1"	77,0	72,0	14,5	I-SFS6-1"-90°-DN 19
25	1"	47,6	1"	82,0	77,0	20,0	I-SFS6-1"-90°-DN 25
25	1"	54,0	1 1/4"	108,0	90,0	20,0	I-SFS6-1 1/4"-90°-DN 25
31	1 1/4"	54,0	1 1/4"	102,0	93,5	25,0	I-SFS6-1 1/4"-90°-DN 31
31	1 1/4"	63,5	1 1/2"	124,0	96,0	25,0	I-SFS6-1 1/2"-90°-DN 31
38	1 1/2"	63,5	1 1/2"	122,5	107,0	31,0	I-SFS6-1 1/2"-90°-DN 38
38	1 1/2"	79,4	2"	124,0	121,5	31,0	I-SFS6-2"-90°-DN 38
51	2"	79,4	2"	144,0	142,0	41,0	I-SFS6-2"-90°-DN 51

andere Größen auf Anfrage
 other sizes on request

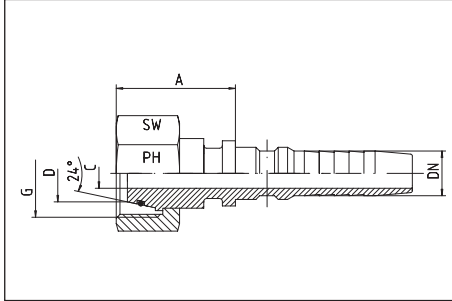
INTERLOCK-ARMATUREN



INTERLOCK-FITTINGS

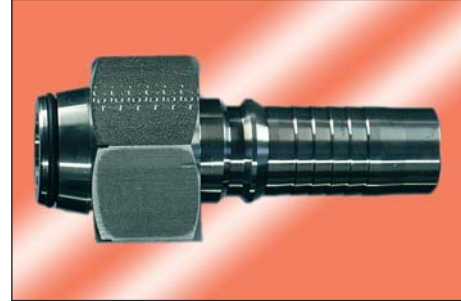
mit Ausreißsicherung - schwere Reihe
Interlock-Serie

DKOS - gerade - 24°-Konus



with wire trap area - heavy series
Interlock-series

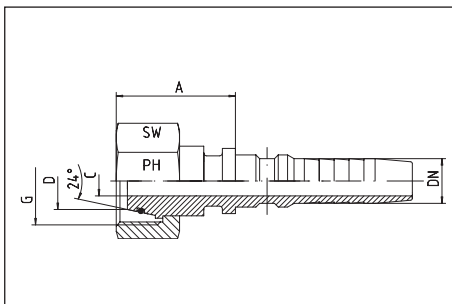
DKOS - straight - 24°-cone



Schlauch Hose DN	DN Bore in.	Gewinde Thread G	Rohr A.D. Tube O.D. D	ca. Maße approx. dimensions			Bestellzeichen Order-Code
				A	C	SW	
19	3/4"	M 30 x 2	20	34,5	14,0	36	I-DKOS 20-DN 19
19	3/4"	M 36 x 2	25	41,0	14,5	46	I-DKOS 25-DN 19
25	1"	M 36 x 2	25	38,5	19,0	46	I-DKOS 25-DN 25
25	1"	M 42 x 2	30	43,5	20,0	50	I-DKOS 30-DN 25
31	1 1/4"	M 52 x 2	38	48,5	25,0	60	I-DKOS 38-DN 31
38	1 1/2"	M 68 x 2	50	51,5	31,5	80	I-DKOS 50-DN 38

mit Ausreißsicherung
Interlock-Serie

DKOL - gerade - 24°-Konus



with wire trap area
Interlock-series

DKOL - straight - 24°-cone



Schlauch Hose DN	DN Bore in.	Gewinde Thread G	Rohr A.D. Tube O.D. D	ca. Maße approx. dimensions			Bestellzeichen Order-Code
				A	C	SW	
19	3/4"	M 30 x 2	22	38,5	14,0	36	I-DKOL 22-DN 19
25	1"	M 36 x 2	28	38,0	19,0	41	I-DKOL 28-DN 25
31	1 1/4"	M 45 x 2	35	42,0	25,0	50	I-DKOL 35-DN 31
38	1 1/2"	M 52 x 2	42	41,0	31,5	60	I-DKOL 42-DN 38

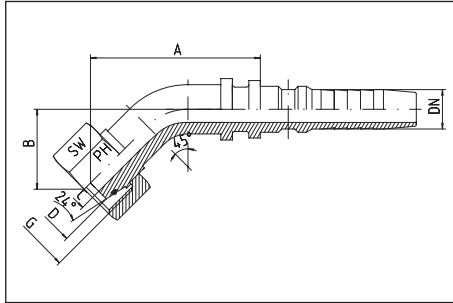
INTERLOCK-ARMATUREN



INTERLOCK-FITTINGS

mit Ausreißsicherung - schwere Reihe
Interlock-Serie

DKOS - 45°-Bogen - 24°-Konus



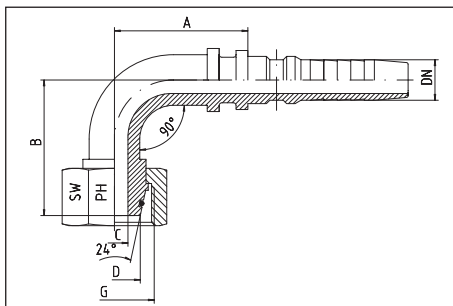
with wire trap area - heavy series
Interlock-series

DKOS - 45°-elbow - 24°-cone



Schlauch Hose DN	DN Bore in.	Gewinde Thread G	Rohr A.D. Tube O.D. D	ca. Maße approx. dimensions				Bestellzeichen Order-Code
				A	B	C	SW	
19	3/4"	M 30 x 2	20	100	45	14,5	36	I-DKOS 20-45°-DN 19
19	3/4"	M 36 x 2	25	90	40	14,5	46	I-DKOS 25-45°-DN 19
25	1"	M 36 x 2	25	103	52	20,0	46	I-DKOS 25-45°-DN 25
25	1"	M 42 x 2	30	97	43	20,0	50	I-DKOS 30-45°-DN 25
31	1 1/4"	M 52 x 2	38	117	52	25,0	60	I-DKOS 38-45°-DN 31
38	1 1/2"	M 68 x 2	50			31,0	80	I-DKOS 50-45°-DN 38

DKOS - 90°-Bogen - 24°-Konus



DKOS - 90°-elbow - 24°-cone



Schlauch Hose DN	DN Bore in.	Gewinde Thread G	Rohr A.D. Tube O.D. D	ca. Maße approx. dimensions				Bestellzeichen Order-Code
				A	B	C	SW	
19	3/4"	M 30 x 2	20	78,5	83,0	14,5	36	I-DKOS 20-90°-DN 19
19	3/4"	M 36 x 2	25	75,0	76,0	14,5	46	I-DKOS 25-90°-DN 19
25	1"	M 36 x 2	25	84,0	95,5	20,0	46	I-DKOS 25-90°-DN 25
25	1"	M 42 x 2	30	84,0	83,0	20,0	50	I-DKOS 30-90°-DN 25
31	1 1/4"	M 52 x 2	38	103,0	101,0	25,0	60	I-DKOS 38-90°-DN 31
38	1 1/2"	M 68 x 2	50			31,0	80	I-DKOS 50-90°-DN 38

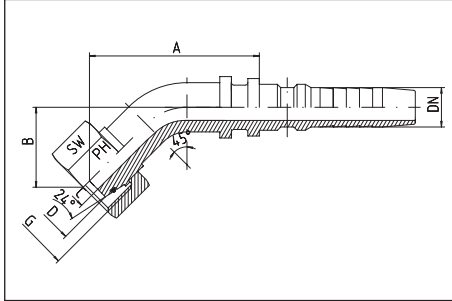
INTERLOCK-ARMATUREN



INTERLOCK-FITTINGS

mit Ausreißsicherung
Interlock-Serie

DKOL - 45°-Bogen - 24°-Konus



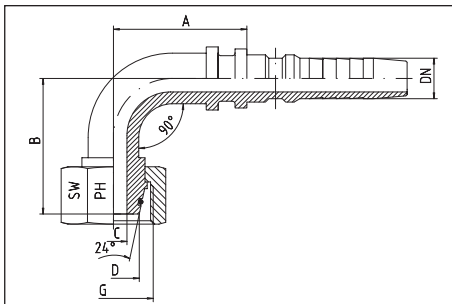
with wire trap area
Interlock-series

DKOL - 45°-elbow - 24°-cone



Schlauch Hose DN	DN Bore in.	Gewinde Thread G	Rohr A.D. Tube O.D. D	ca. Maße approx. dimensions				Bestellzeichen Order-Code
				A	B	C	SW	
19	3/4"	M 30 x 2	22			14,5	36	I-DKOL 22-45°-DN 19
25	1"	M 36 x 2	28	102	50	19,0	41	I-DKOL 28-45°-DN 25
31	1 1/4"	M 45 x 2	35	120	50	25,0	50	I-DKOL 35-45°-DN 31
38	1 1/2"	M 52 x 2	42	140	61	31,0	60	I-DKOL 42-45°-DN 38

DKOL - 90°-Bogen - 24°-Konus



DKOL - 90°-elbow - 24°-cone



Schlauch Hose DN	DN Bore in.	Gewinde Thread G	Rohr A.D. Tube O.D. D	ca. Maße approx. dimensions				Bestellzeichen Order-Code
				A	B	C	SW	
19	3/4"	M 30 x 2	22			14,5	36	I-DKOL 22-90°-DN 19
25	1"	M 36 x 2	28	87	92	19,0	41	I-DKOL 28-90°-DN 25
31	1 1/4"	M 45 x 2	35	103	98	25,0	50	I-DKOL 35-90°-DN 31
38	1 1/2"	M 52 x 2	42	124	117	31,0	60	I-DKOL 42-90°-DN 38

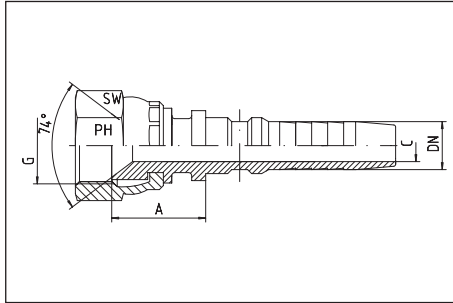
INTERLOCK-ARMATUREN



INTERLOCK-FITTINGS

mit Ausreißsicherung - schwere Reihe
Interlock-Serie

JIC - 37° - Nippel für 74°-Konusaufnahme
mit Überwurfmutter - gerade



with wire trap area - heavy series
Interlock-series

JIC - 37° - female nipples for connectors
with 74°-cone - straight



Schlauch Hose DN	DN Bore in.	Gewinde Thread G = UN	ca. Maße approx. dimensions			Bestellzeichen Order-Code
			A	C	SW	
19	3/4"	1 1/16"-12	35,0	14,5	32	I-DKJ 1 1/16"-DN 19
19	3/4"	1 5/16"-12	34,0	14,5	41	I-DKJ 1 5/16"-DN 19
25	1"	1 5/16"-12	34,0	20,0	41	I-DKJ 1 5/16"-DN 25
25	1"	1 5/8"-12	27,0	20,0	50	I-DKJ 1 5/8"-DN 25
31	1 1/4"	1 5/8"-12	37,0	25,0	50	I-DKJ 1 5/8"-DN 31
31	1 1/4"	1 7/8"-12	33,0	25,0	60	I-DKJ 1 7/8"-DN 31
38	1 1/2"	1 7/8"-12	41,5	31,5	60	I-DKJ 1 7/8"-DN 38
38	1 1/2"	2 1/2"-12				I-DKJ 2 1/2"-DN 38
51	2"	2 1/2"-12	67,5	42,0	70	I-DKJ 2 1/2"-DN 51

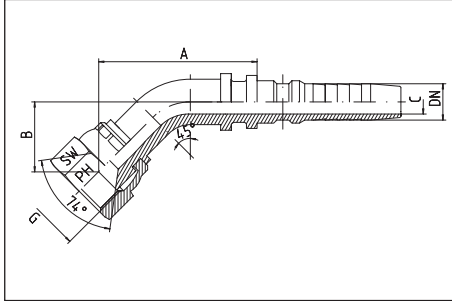
INTERLOCK-ARMATUREN



INTERLOCK-FITTINGS

mit Ausreißsicherung - schwere Reihe
Interlock-Serie

JIC - 37° - Nippel für 74°-Konusaufnahme
mit Überwurfmutter - 45°-Bogen



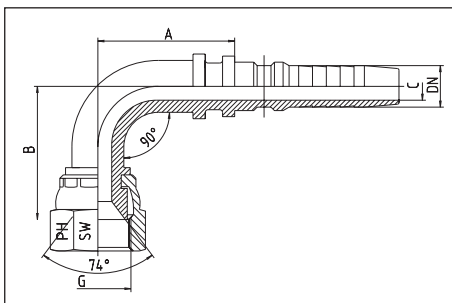
with wire trap area - heavy series
Interlock-series

JIC - 37° - female nipples for connectors
with 74°-cone - 45°-elbow



Schlauch Hose DN	DN Bore in.	Gewinde Thread G = UN	ca. Maße approx. dimensions				Bestellzeichen Order-Code
			A	B	C	SW	
19	3/4"	1 1/16"-12	93,0	37,5	14,5	32	I-DKJ 1 1/16"-45°-DN 19
19	3/4"	1 5/16"-12	93,0	43,5	14,5	41	I-DKJ 1 5/16"-45°-DN 19
25	1"	1 5/16"-12	101,0	47,0	20,0	41	I-DKJ 1 5/16"-45°-DN 25
25	1"	1 5/8"-12	123,0	51,0	20,0	50	I-DKJ 1 5/8"-45°-DN 25
31	1 1/4"	1 5/8"-12	116,5	49,0	25,0	50	I-DKJ 1 5/8"-45°-DN 31
31	1 1/4"	1 7/8"-12	146,0	52,0	25,0	60	I-DKJ 1 7/8"-45°-DN 31
38	1 1/2"	1 7/8"-12	130,0	50,0	31,0	60	I-DKJ 1 7/8"-45°-DN 38
38	1 1/2"	2 1/2"-12					I-DKJ 2 1/2"-45°-DN 38
51	2"	2 1/2"-12	166,5	78,0	41,0	70	I-DKJ 2 1/2"-45°-DN 51

JIC - 37° - Nippel für 74°-Konusaufnahme
mit Überwurfmutter - 90°-Bogen



JIC - 37° - female nipples for connectors
with 74°-cone - 90°-elbow



Schlauch Hose DN	DN Bore in.	Gewinde Thread G = UN	ca. Maße approx. dimensions				Bestellzeichen Order-Code
			A	B	C	SW	
19	3/4"	1 1/16"-12	79	72,0	14,5	32	I-DKJ 1 1/16"-90°-DN 19
19	3/4"	1 5/16"-12	78	79,0	14,5	41	I-DKJ 1 5/16"-90°-DN 19
25	1"	1 5/16"-12	85	86,0	20,0	41	I-DKJ 1 5/16"-90°-DN 25
25	1"	1 5/8"-12	107	93,0	20,0	50	I-DKJ 1 5/8"-90°-DN 25
31	1 1/4"	1 5/8"-12	103	96,0	25,0	50	I-DKJ 1 5/8"-90°-DN 31
31	1 1/4"	1 7/8"-12	125	98,0	25,0	60	I-DKJ 1 7/8"-90°-DN 31
38	1 1/2"	1 7/8"-12	122	107,0	31,0	60	I-DKJ 1 7/8"-90°-DN 38
38	1 1/2"	2 1/2"-12					I-DKJ 2 1/2"-90°-DN 38
51	2"	2 1/2"-12	145	151,5	41,0	70	I-DKJ 2 1/2"-90°-DN 51

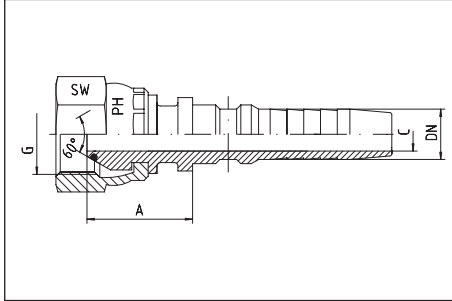
INTERLOCK-ARMATUREN



INTERLOCK-FITTINGS

mit Ausreißsicherung - schwere Reihe
Interlock-Serie

DKOR mit O-Ring und Überwurfmutter
BSP-Gewinde für Gegenanschluss mit 60°-Konus - gerade



with wire trap area - heavy series
Interlock-series

DKOR with O-ring and BSP union nut
for connectors with 60°-flare - straight



Schlauch Hose DN	DN Bore in.	Gewinde Thread G	ca. Maße approx. dimensions			Bestellzeichen Order-Code
			A	C	SW	
19	3/4"	3/4"-14	32	14,5	32	I-DKOR 3/4"-DN 19
25	1"	1"-11	39	20,0	41	I-DKOR 1"-DN 25
31	1 1/4"	1 1/4"-11	42	25,0	50	I-DKOR 1 1/4"-DN 31
38	1 1/2"	1 1/2"-11	40	31,5	60	I-DKOR 1 1/2"-DN 38
51	2"	2"-11	39	42,0	70	I-DKOR 2"-DN 51

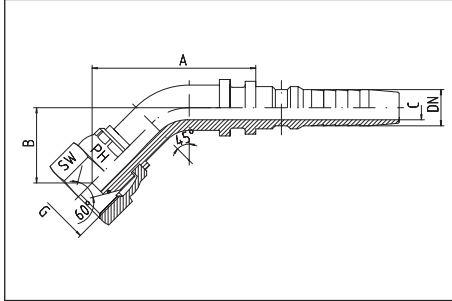
INTERLOCK-ARMATUREN



INTERLOCK-FITTINGS

mit Ausreißsicherung - schwere Reihe
Interlock-Serie

DKOR mit O-Ring und Überwurfmutter
BSP-Gewinde für Gegenanschluss mit 60°-Konus - 45°-Bogen



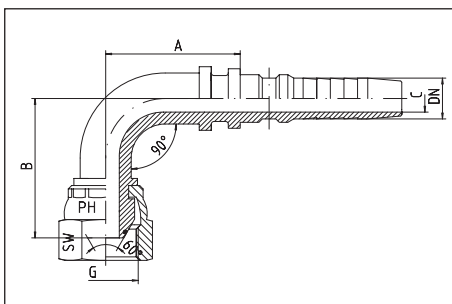
with wire trap area - heavy series
Interlock-series

DKOR with O-ring and BSP union nut
for connectors with 60°-flare - 45°-elbow



Schlauch Hose DN	DN Bore in.	Gewinde Thread G	ca. Maße approx. dimensions				Bestellzeichen Order-Code
			A	B	C	SW	
19	3/4"	3/4"-14	90	39	14,5	32	I-DKOR 3/4"-45°-DN 19
25	1"	1"-11	97	46	20,0	41	I-DKOR 1"-45°-DN 25
31	1 1/4"	1 1/4"-11	117	52	25,0	50	I-DKOR 1 1/4"-45°-DN 31
38	1 1/2"	1 1/2"-11	134	49	31,0	60	I-DKOR 1 1/2"-45°-DN 38
51	2"	2"-11	170	81	41,0	70	I-DKOR 2"-45°-DN 51

DKOR mit O-Ring und Überwurfmutter
BSP-Gewinde für Gegenanschluss mit 60°-Konus - 90°-Bogen



DKOR with O-ring and BSP union nut
for connectors with 60°-flare - 90°-elbow



Schlauch Hose DN	DN Bore in.	Gewinde Thread G	ca. Maße approx. dimensions				Bestellzeichen Order-Code
			A	B	C	SW	
19	3/4"	3/4"-14	77	75	14,5	32	I-DKOR 3/4"-90°-DN 19
25	1"	1"-11	83	85	20,0	41	I-DKOR 1"-90°-DN 25
31	1 1/4"	1 1/4"-11	103	100	25,0	50	I-DKOR 1 1/4"-90°-DN 31
38	1 1/2"	1 1/2"-11	118	110	31,0	60	I-DKOR 1 1/2"-90°-DN 38
51	2"	2"-11	146	152	41,0	70	I-DKOR 2"-90°-DN 51

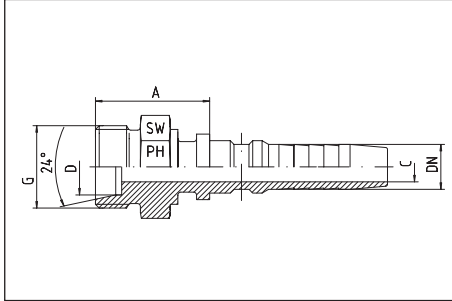
INTERLOCK-ARMATUREN



INTERLOCK-FITTINGS

mit Ausreißsicherung - schwere Reihe
Interlock-Serie

CES mit 24°-Konus für Schneidringverschraubung DIN 2353 / DIN EN ISO 8434-1



with wire trap area - heavy series
Interlock-series

CES with 24°-cone for compression couplings DIN 2353 / DIN EN ISO 8434-1

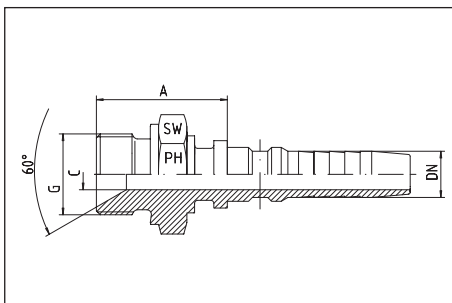


Schlauch Hose DN	DN Bore in.	Gewinde Thread G	Rohr A.D. Tube O.D. D	ca. Maße approx. dimensions			Bestellzeichen Order-Code
				A	C	SW	
19	3/4"	M 30 x 2	20	37,5	14,5	32	I-CES 20-DN 19
19	3/4"	M 36 x 2	25	36,0	14,5	36	I-CES 25-DN 19
25	1"	M 36 x 2	25		20,0	36	I-CES 25-DN 25
25	1"	M 42 x 2	30	40,0	20,0	46	I-CES 30-DN 25
31	1 1/4"	M 52 x 2	38	44,5	25,0	55	I-CES 38-DN 31

INTERLOCK-AUSSENGEWINDE- NIPPEL

mit 60°-Innenkonus
und angedrehter Dichtkante Form B

Gewinde: BSP - zylindrisch



INTERLOCK-MALE- NIPPLES

with 60°-cone
and sealing shoulder form B

Thread: BSP - parallel



Schlauch Hose DN	DN Bore in.	Gewinde Thread G	ca. Maße approx. dimensions			Bestellzeichen Order-Code
			A	C	SW	
19	3/4"	3/4"-14	40,5	14,5	32	I-AGR 3/4"-DN 19
19	3/4"	1"-11			41	I-AGR 1"-DN 19
25	1"	1"-11	48,5	20,0	41	I-AGR 1"-DN 25
31	1 1/4"	1 1/4"-11	44,0	25,0	50	I-AGR 1 1/4"-DN 31
38	1 1/2"	1 1/2"-11	54,0	31,5	55	I-AGR 1 1/2"-DN 38
51	2"	2"-11	52,5	42,0	70	I-AGR 2"-DN 51

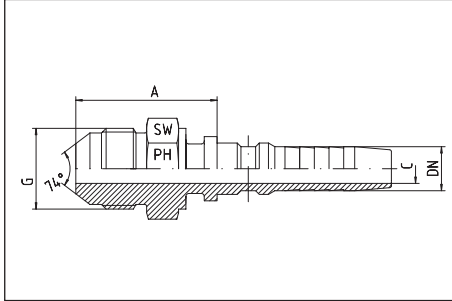
INTERLOCK-ARMATUREN



INTERLOCK-FITTINGS

mit Ausreißsicherung - schwere Reihe
Interlock-Serie

JIC-Außengewinde - 74°-Konus



with wire trap area - heavy series
Interlock-series

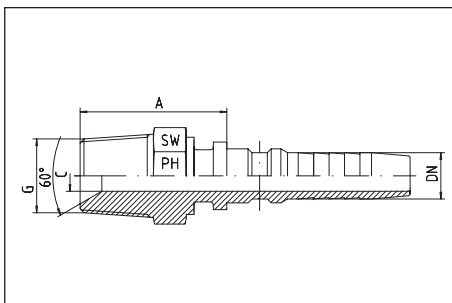
JIC-male - 74°-cone



Schlauch Hose DN	DN Bore in.	Gewinde Thread G = UN	ca. Maße approx. dimensions			Bestellzeichen Order-Code
			A	C	SW	
19	3/4"	1 1/16"-12	48,5	14,5	30	I-AGJ 1 1/16"-DN 19
25	1"	1 5/16"-12	48,0	20,0	36	I-AGJ 1 5/16"-DN 25
31	1 1/4"	1 5/8"-12	48,0	25,0	46	I-AGJ 1 5/8"-DN 31
38	1 1/2"	1 7/8"-12	57,0	31,5	50	I-AGJ 1 7/8"-DN 38
51	2"	2 1/2"-12	60,0	42,0	65	I-AGJ 2 1/2"-DN 51

INTERLOCK-NPT-AUSSEN- GEWINDE

mit 60°-Konusaufnahme
Interlock-Serie



INTERLOCK-NPT- MALE

with 60°-cone
Interlock-series



Schlauch Hose DN	DN Bore in.	Gewinde Thread G = NPT	ca. Maße approx. dimensions			Bestellzeichen Order-Code
			A	C	SW	
19	3/4"	3/4"-14	41,0	14,5	30	I-AGN 3/4"-DN 19
19	3/4"	1"-11,5		14,5	36	I-AGN 1"-DN 19
25	1"	1"-11,5	65,5	20,0	36	I-AGN 1"-DN 25
31	1 1/4"	1 1/4"-11,5	53,0	25,0	46	I-AGN 1 1/4"-DN 31
38	1 1/2"	1 1/2"-11,5	60,5	31,0	50	I-AGN 1 1/2"-DN 38
51	2"	2"-11,5	53,0	42,0	65	I-AGN 2"-DN 51