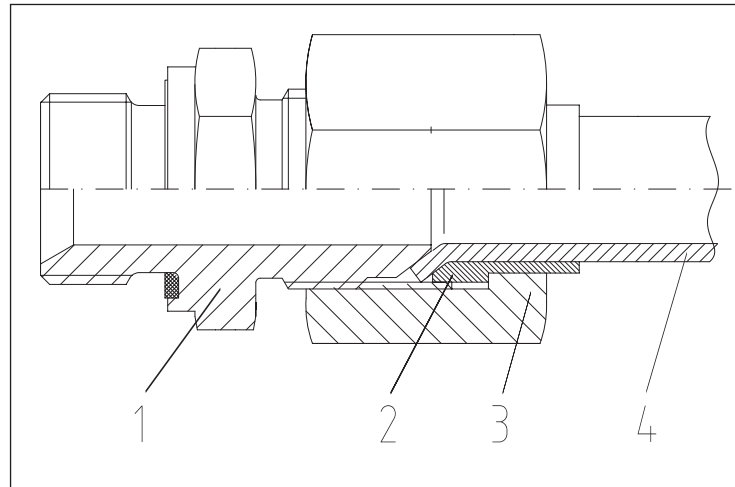


BÖRDELANSCHLÜSSE / ADAPTER 37° - DIN EN ISO 8434-2 / SAE J 514
FLARE COUPLINGS / ADAPTORS 37° - DIN EN ISO 8434-2 / SAE J 514

SAE BÖRDELANSCHLÜSSE - FUNKTION	SAE FLARE COUPLINGS - FUNCTION	6.3
MUTTERN	NUTS	6.4
DRUCKRINGE - ROHR - METRISCH	SLEEVES - TUBE - METRIC	6.5
DRUCKRINGE - ROHR - ZÖLLIG	SLEEVES - TUBE - INCH	6.6
JIC - 37° - ADAPTER - GERADE VERBINDER	JIC - 37° - ADAPTORS - STRAIGHT UNIONS	6.7
JIC - 37° - WINKEL-ADAPTER - 90°-WINKELVERBINDER	JIC - 37° - ADAPTORS - 90°-ELBOW CONNECTORS	6.7
JIC - 37° - T-VERBINDER	JIC - 37° - T-CONNECTORS	6.8
JIC - 37° - ADAPTER - GERADE - JIC - WEIBLICH X JIC - WEIBLICH	JIC - 37° - ADAPTORS - STRAIGHT - JIC - FEMALE X JIC FEMALE	6.8
JIC - 37° - ADAPTER - GERADE - JIC - MÄNNLICH X BSP - MÄNNLICH	JIC - 37° - ADAPTORS - STRAIGHT - JIC - MALE X BSP - MALE	6.9
JIC - 37° - ADAPTER - GERADE - JIC - MÄNNLICH X NPT - MÄNNLICH	JIC - 37° - ADAPTORS - STRAIGHT - JIC - MALE X NPT - MALE	6.10
JIC - 37° - ADAPTER - GERADE - JIC - MÄNNLICH X BSP - KEG. - MÄNNLICH	JIC - 37° - ADAPTORS - STRAIGHT - JIC - MALE X BSP - TAPER - MALE	6.11
JIC - 37° - ADAPTER - GERADE - JIC - WEIBLICH X BSP - MÄNNLICH	JIC - 37° - ADAPTORS - STRAIGHT - JIC - FEMALE X BSP - MALE	6.12
JIC - 37° - ADAPTER - GERADE - JIC - WEIBLICH X JIC - MÄNNLICH	JIC - 37° - ADAPTORS - STRAIGHT - JIC - FEMALE X JIC MALE	6.13
JIC - 37° - ADAPTER - VERSCHLUSS-STOPFEN	JIC - 37° - ADAPTORS - CONED PLUG	6.14
JIC - 37° - ADAPTER - 90°-WINKEL - JIC - MÄNNLICH X NPT - MÄNNLICH	JIC - 37° - ADAPTORS - 90°-ELBOW - JIC - MALE X NPT - MALE	6.15
JIC - 37° - ADAPTER - 90°-WINKEL - JIC - MÄNNLICH X BSP - KEG. - MÄNNLICH	JIC - 37° - ADAPTORS - 90°-ELBOW - JIC - MALE X BSP - TAPER - MALE	6.16
JIC - 37° - VERSCHRAUBUNGEN - GERADE SCHOTTVERSCHRAUBUNGEN	JIC - 37° - CONNECTIONS - STRAIGHT BULKHEAD CONNECTIONS	6.17
JIC - 37° - GERADE ADAPTER - JIC - WEIBLICH X NPT - MÄNNLICH	JIC - 37° - STRAIGHT ADAPTORS - JIC - FEMALE X NPT - MALE	6.18
JIC - 37° - WINKEL-ADAPTER - JIC - WEIBLICH X NPT - MÄNNLICH	JIC - 37° - ADAPTORS - 90°-ELBOW - JIC - FEMALE X NPT - MALE	6.19
JIC - 37° - WINKEL-ADAPTER - JIC - WEIBLICH X JIC - MÄNNLICH	JIC - 37° - ADAPTORS - 90°-ELBOW - JIC - FEMALE X JIC - MALE	6.20
JIC - 37° - TE-ADAPTER - JIC - WEIBLICH X JIC - MÄNNLICH	JIC - 37° - TEE-ADAPTORS - JIC - FEMALE X JIC - MALE	6.21
JIC - 37° - LE-ADAPTER - JIC - WEIBLICH X JIC - MÄNNLICH	JIC - 37° - TEE-ADAPTORS - JIC - FEMALE X JIC - MALE	6.22
EINST. WINKEL-VERSCHRAUBUNGEN - JIC - MÄNNLICH X BSP - MÄNNLICH	ADJUSTABLE MALE STUD ELBOWS - JIC - MALE X BSP MALE	6.23

Bördelanschluss 37°
nach SAE J 514
und ISO 8434 Teil 2



Flare tube 37°
to SAE J 514
and ISO 8434 part 2

Die Bördelverschraubung nach SAE J 514 und ISO 8434-2 besteht aus Verschraubungsstutzen 1, Druckring 2 und Überwurfmutter 3. Durch Austauschen des Druckringes ist die gleiche Verschraubung für metrisches und zölliges Rohr, das unter 37° gebördelt wurde, verwendbar.

Bei der Montage wird das gebördelte Rohr 4 zwischen Druckring und Verschraubungsstutzen eingeklemmt und festgehalten. Der Druckring zentriert und stützt hierbei das Rohr und dient gleichzeitig als Sicherung gegen Verdrehen und Vibration.

Da er sich beim Anziehen der Überwurfmutter nicht mitdreht, werden Spannungen am Rohrsystem vermieden. Die entstandene, rein metallische Dichtung garantiert eine hohe Sicherheit.

Auf Anfrage auch mit O-Ring Dichtung am Verschraubungsstutzen 1 lieferbar.

The flare coupling to SAE J 514 and ISO 8434-2 comprises a coupling body 1, pressure ring 2 and securing nut 3. By exchanging the pressure ring, the same coupling can be used with both metric and inch size pipe flared at less than 37°.

On fitting, the flared tube 4 is wedged and held between the pressure ring and the coupling body. The pressure ring centres and supports the tube at the same time preventing it from twisting and dampening vibration.

As it does not turn with the securing nut, no tension is transmitted to the tube system. The result is an extremely dependable metal seal.

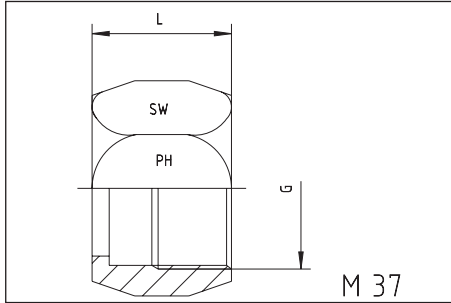
On request with o-ring seal on the coupling body 1.

für 37°-Bördelverschraubungen

nach SAE J 514 und ISO 8434 Teil 2

for 37°-flare couplings

to SAE J 514 and ISO 8434 part 2



Rohr A.D. Tube O.D.		Gewinde Thread G	L	SW	Bestellzeichen Order-Code
mm	in.				
6	1/4"	7/16"-20 UNF	15,5	14	M 37-06-04
8	5/16"	1/2"-20 UNF	17,0	17	M 37-08-05
10	3/8"	9/16"-18 UNF	18,3	19	M 37-10-06
12	1/2"	3/4"-16 UNF	21,3	22	M 37-12-08
14, 15, 16	5/8"	7/8"-14 UNF	24,6	27	M 37-16-10
18, 20	3/4"	1 1/16"-12 UN	25,9	32	M 37-20-12
25	1"	1 5/16"-12 UN	28,4	41	M 37-25-16
28, 30, 32	1 1/4"	1 5/8"-12 UN	31,0	50	M 37-30-20
35, 38	1 1/2"	1 7/8"-12 UN	35,8	60	M 37-38-24
50	2"	2 1/2"-12 UN	44,2	75	M 37-50-32

DRUCKRINGE



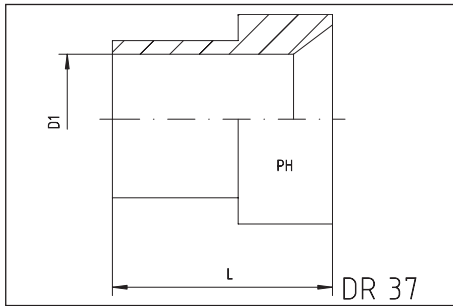
SLEEVES

für 37°-Bördelverschraubung
Rohr - metrisch

nach SAE J 514 und ISO 8434 Teil 2

for 37°-flare couplings
Tube - metric

to SAE J 514 and ISO 8434 part 2



Rohr A.D. Tube O.D. mm	D1 + Tol.	L	Bestellzeichen Order-Code
6	6	10,4	DR 37-06
8	8	11,2	DR 37-08
10	10	12,7	DR 37-10
12	12	14,2	DR 37-12
14	14	14,0	DR 37-14
15	15	14,0	DR 37-15
16	16	16,8	DR 37-16
18	30	23,1	DR 37-18
20	20	17,3	DR 37-20
25	25	19,8	DR 37-25
28	28	23,0	DR 37-28
30	30	23,1	DR 37-30
32	32	23,0	DR 37-32
35	35	28,4	DR 37-35
38	38	28,4	DR 37-38
50	50	30,2	DR 37-50

DRUCKRINGE



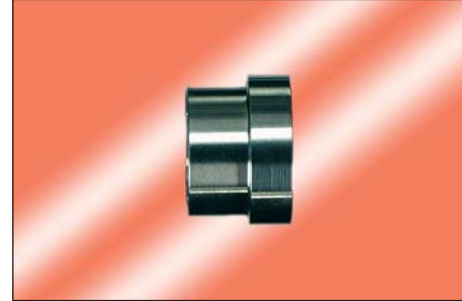
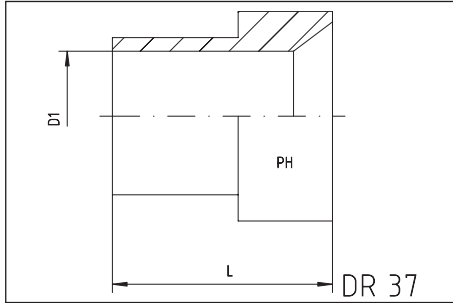
SLEEVES

für 37°-Bördelverschraubung
Rohr - zöllig

nach SAE J 514 und ISO 8434 Teil 2

for 37°-flare couplings
Tube - inch

to SAE J 514 and ISO 8434 part 2



Rohr A.D. Tube O.D.		D1	L	Bestellzeichen Order-Code
in.	mm			
1/4"	6,35	6,53	10,4	DR 37-1/4"
5/16"	7,94	8,13	11,2	DR 37-5/16"
3/8"	9,52	9,73	12,7	DR 37-3/8"
1/2"	12,70	12,88	14,2	DR 37-1/2"
5/8"	15,88	16,08	16,8	DR 37-5/8"
3/4"	19,05	19,28	17,3	DR 37-3/4"
1"	25,40	25,60	19,8	DR 37-1"
1 1/4"	31,75	32,05	23,1	DR 37-1 1/4"
1 1/2"	38,10	38,40	28,4	DR 37-1 1/2"
2"	50,80	51,21	30,2	DR 37-2"

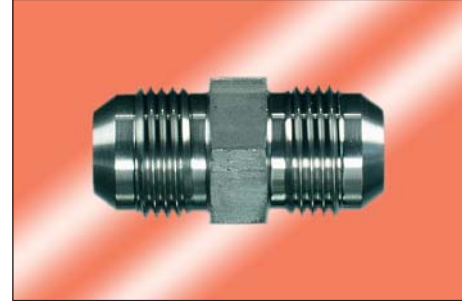
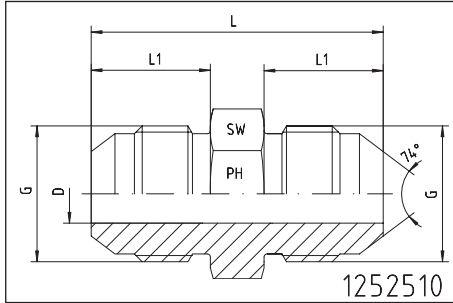
JIC - 37° - ADAPTER



JIC - 37° - ADAPTORS

Gerade Verbinder
männlich - männlich

Straight unions
male - male



Rohr A.D. Tube O.D.		Gewinde Thread G	ca. Maße approx. dimensions				Bestellzeichen Order-Code
mm	in.		L	L1	D	SW	
6	1/4"	7/16"-20 UNF	35,0	14,0	4,5	12	1252510-04-04
8	5/16"	1/2"-20 UNF	35,0	14,0	5,0	14	1252510-05-05
10	3/8"	9/16"-18 UNF	36,0	14,1	7,5	17	1252510-06-06
12	1/2"	3/4"-16 UNF	41,0	16,7	9,5	22	1252510-08-08
14, 15, 16	5/8"	7/8"-14 UNF	48,0	19,3	12,5	24	1252510-10-10
18, 20	3/4"	1 1/16"-12 UN	55,0	21,9	15,0	27	1252510-12-12
25	1"	1 5/16"-12 UN	57,0	23,1	21,5	36	1252510-16-16
28, 30, 32	1 1/4"	1 5/8"-12 UN	61,5	24,3	27,5	46	1252510-20-20
35, 38	1 1/2"	1 7/8"-12 UN	70,0	27,5	33,0	50	1252510-24-24
50	2"	2 1/2"-12 UN	80,0	33,9	45,0	65	1252510-32-32

Reduzieradapter auf Anfrage!
Zum Beispiel: Rohr 20 auf 16 = Bestellzeichen: 1252510-12-10

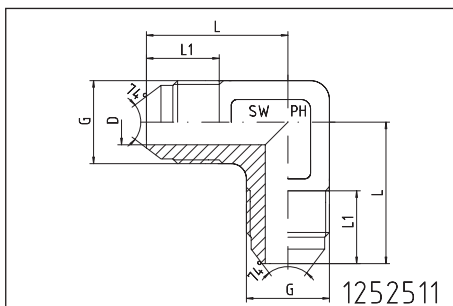
Reducers on request!
For example: tube 20 to 16 = Order-Code: 1252510-12-10

JIC - 37° - WINKEL-ADAPTER

JIC - 37° - ELBOW-ADAPTORS

90°-Winkelverbinder
männlich - männlich

90°-elbow connectors
male - male



Rohr A.D. Tube O.D.		Gewinde Thread G	ca. Maße approx. dimensions				Bestellzeichen Order-Code
mm	in.		L	L1	D	SW	
6	1/4"	7/16"-20 UNF	22,5	14,0	4,5	12	1252511-04-04
8	5/16"	1/2"-20 UNF	24,0	14,0	6,0	13	1252511-05-05
10	3/8"	9/16"-18 UNF	27,0	14,1	7,5	14	1252511-06-06
12	1/2"	3/4"-16 UNF	31,0	16,7	10,0	19	1252511-08-08
14, 15, 16	5/8"	7/8"-14 UNF	37,5	19,3	12,5	24	1252511-10-10
18, 20	3/4"	1 1/16"-12 UN	42,0	21,9	15,0	24	1252511-12-12
25	1"	1 5/16"-12 UN	46,0	23,1	21,5	33	1252511-16-16
28, 30, 32	1 1/4"	1 5/8"-12 UN	52,5	24,3	27,5	41	1252511-20-20
35, 38	1 1/2"	1 7/8"-12 UN	59,0	27,5	33,0	48	1252511-24-24
50	2"	2 1/2"-12 UN	77,5	33,9	45,0	65	1252511-32-32

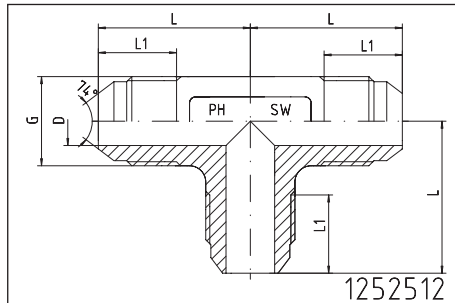
JIC - 37° - T-VERBINDER



JIC - 37° - T-CONNECTORS

alle Seiten männlich

all sides male



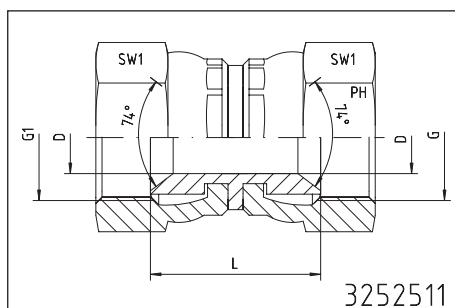
Rohr A.D. Tube O.D.		Gewinde Thread G	ca. Maße approx. dimensions				Bestellzeichen Order-Code
mm	in.		L	L1	D	SW	
6	1/4"	7/16"-20 UNF	22,5	14,0	4,5	12	1252512-04-04-04
8	5/16"	1/2"-20 UNF	24,0	14,0	6,0	13	1252512-05-05-05
10	3/8"	9/16"-18 UNF	27,0	14,1	7,5	14	1252512-06-06-06
12	1/2"	3/4"-16 UNF	31,0	16,7	10,0	19	1252512-08-08-08
14, 15, 16	5/8"	7/8"-14 UNF	37,5	19,3	12,5	24	1252512-10-10-10
18, 20	3/4"	1 1/16"-12 UN	42,0	21,9	15,5	24	1252512-12-12-12
25	1"	1 5/16"-12 UN	46,0	23,1	21,5	33	1252512-16-16-16
28, 30, 32	1 1/4"	1 5/8"-12 UN	52,5	24,3	27,5	41	1252512-20-20-20
35, 38	1 1/2"	1 7/8"-12 UN	59,0	27,5	33,0	48	1252512-24-24-24
50	2"	2 1/2"-12 UN	77,5	33,9	45,0		1252512-32-32-32

JIC - 37° - ADAPTER

JIC - 37° - ADAPTORS

JIC - weiblich - drehbar
beide Seiten

JIC - female - swivel
both sides



Rohr A.D. Tube O.D.		Gewinde Thread G1	ca. Maße approx. dimensions			Bestellzeichen Order-Code
mm	in.		L	D	SW1	
6	1/4"	7/16"-20 UNF	21,0	4,0	17	3252511-04-04
8	5/16"	1/2"-20 UNF	21,0	5,0	17	3252511-05-05
10	3/8"	9/16"-18 UNF	24,0	7,0	19	3252511-06-06
12	1/2"	3/4"-16 UNF	25,5	10,0	24	3252511-08-08
14, 15, 16	5/8"	7/8"-14 UNF	30,0	12,0	27	3252511-10-10
18, 20	3/4"	1 1/16"-12 UN	30,0	15,0	32	3252511-12-12
25	1"	1 5/16"-12 UN	35,0	21,0	41	3252511-16-16
28, 30, 32	1 1/4"	1 5/8"-12 UN	35,0	27,5	50	3252511-20-20
35, 38	1 1/2"	1 7/8"-12 UN	40,0	33,0	55	3252511-24-24

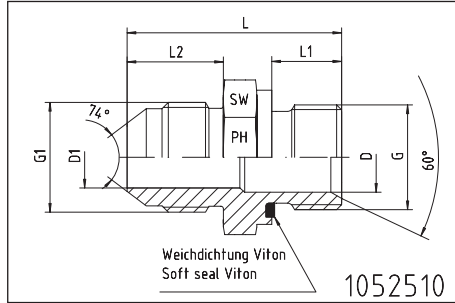
JIC - 37° - ADAPTER



JIC - 37° - ADAPTORS

JIC - männlich
 BSP - männlich
 mit gekammerter Weichdichtung

JIC - male
 BSP - male
 with captive soft seal



Rohr A.D. Tube O.D.		Gewinde Thread		ca. Maße approx. dimensions						Bestellzeichen Order-Code
mm	in.	G1 = UNF/UN	G = BSP	L	L1	L2	D	D1	SW	G1 x G
6	1/4"	7/16"-20	1/8"-28	30,0	8	14,0	3,5	3,5	14	1052510-04-02
6	1/4"	7/16"-20	1/4"-19	34,0	12	14,0	4,0	4,0	19	1052510-04-04
6	1/4"	7/16"-20	3/8"-19	34,5	12	14,0	8,0	4,0	22	1052510-04-06
6	1/4"	7/16"-20	1/2"-14	37,5	14	14,0	11,5	4,0	27	1052510-04-08
8	5/16"	1/2"-20	1/8"-28	30,0	8	14,0	4,5	4,5	14	1052510-05-02
8	5/16"	1/2"-20	1/4"-19	34,0	12	14,0	5,0	5,0	19	1052510-05-04
8	5/16"	1/2"-20	3/8"-19	34,5	12	14,0	8,0	5,0	22	1052510-05-06
8	5/16"	1/2"-20	1/2"-14	37,5	14	14,0	11,5	5,0	27	1052510-05-08
10	3/8"	9/16"-18	1/8"-28	30,0	8	16,0	4,5	6,0	17	1052510-06-02
10	3/8"	9/16"-18	1/4"-19	33,0	10	14,0	6,0	6,0	19	1052510-06-04
10	3/8"	9/16"-18	3/8"-19	34,5	12	14,0	7,5	7,5	22	1052510-06-06
10	3/8"	9/16"-18	1/2"-14	40,0	14	14,0	12,0	7,5	27	1052510-06-08
12	1/2"	3/4"-16	1/4"-19	37,0	10	17,0	5,0	9,5	22	1052510-08-04
12	1/2"	3/4"-16	3/8"-19	41,0	12	17,0	9,0	9,0	22	1052510-08-06
12	1/2"	3/4"-16	1/2"-14	40,5	14	17,0	9,5	9,5	27	1052510-08-08
12	1/2"	3/4"-16	3/4"-14	46,0	16	17,0	17,0	9,5	32	1052510-08-12
14, 15, 16	5/8"	7/8"-14	3/8"-19	42,5	12	19,5	8,0	12,0	24	1052510-10-06
14, 15, 16	5/8"	7/8"-14	1/2"-14	43,0	14	19,5	12,0	12,0	27	1052510-10-08
14, 15, 16	5/8"	7/8"-14	5/8"-14	44,5	16	19,5	14,5	12,0	30	1052510-10-10
14, 15, 16	5/8"	7/8"-14	3/4"-14	46,0	16	19,5	17,0	12,0	32	1052510-10-12
14, 15, 16	5/8"	7/8"-14	1"-11	50,0	18	19,5	22,5	12,0	41	1052510-10-16
18, 20	3/4"	1 1/16"-12	1/2"-14	50,0	14	22,0	11,5	15,0	27	1052510-12-08
18, 20	3/4"	1 1/16"-12	3/4"-14	51,0	16	22,0	15,0	15,0	32	1052510-12-12
18, 20	3/4"	1 1/16"-12	1"-11	53,0	18	22,0	22,5	15,0	41	1052510-12-16
18, 20	3/4"	1 1/16"-12	1 1/4"-11	56,5	20	22,0	29,0	15,0	50	1052510-12-20
25	1"	1 5/16"-12	3/4"-14	53,0	16	23,0	17,5	21,5	36	1052510-16-12
25	1"	1 5/16"-12	1"-11	53,5	18	23,0	21,5	21,5	41	1052510-16-16
25	1"	1 5/16"-12	1 1/4"-11	57,5	20	23,0	29,0	21,5	50	1052510-16-20
25	1"	1 5/16"-12	1 1/2"-11	59,5	22	23,0	33,5	21,0	55	1052510-16-24
28, 30, 32	1 1/4"	1 5/8"-12	3/4"-14	56,7	16	24,3	17,0	26,5	46	1052510-20-12
28, 30, 32	1 1/4"	1 5/8"-12	1"-11	55,0	18	24,3	23,0	26,5	46	1052510-20-16
28, 30, 32	1 1/4"	1 5/8"-12	1 1/4"-11	59,0	20	24,3	29,0	26,5	50	1052510-20-20
28, 30, 32	1 1/4"	1 5/8"-12	1 1/2"-11	61,0	22	24,3	33,5	26,5	55	1052510-20-24
28, 30, 32	1 1/4"	1 5/8"-12	2"-11	64,3	25	24,3	46,0	26,5	70	1052510-20-32
35, 38	1 1/2"	1 7/8"-12	1"-11	71,0	19	27,5	22,5	32,0	50	1052510-24-16
35, 38	1 1/2"	1 7/8"-12	1 1/4"-11	62,0	20	27,5	29,0	32,0	50	1052510-24-20
35, 38	1 1/2"	1 7/8"-12	1 1/2"-11	64,0	22	27,5	33,5	32,0	55	1052510-24-24
35, 38	1 1/2"	1 7/8"-12	2"-11	67,5	25	27,5	46,0	32,0	70	1052510-24-32

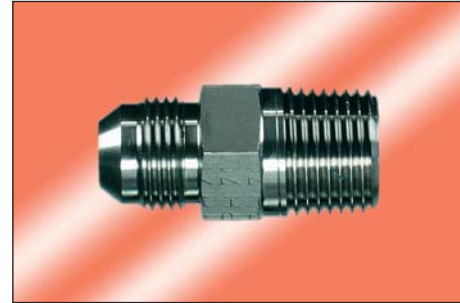
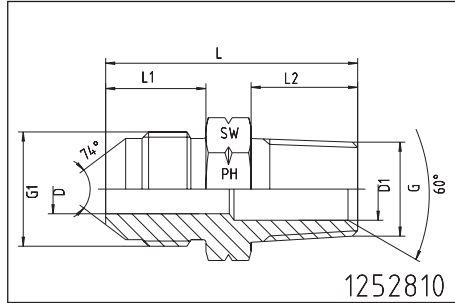
JIC - 37° - ADAPTER



JIC - 37° - ADAPTORS

JIC - männlich
NPT - männlich

JIC - male
NPT - male



Rohr A.D. Tube O.D.		Gewinde Thread		ca. Maße approx. dimensions						Bestellzeichen Order-Code
mm	in.	G1 = UNF/UN	G = NPT	L	L1	L2	D	D1	SW	G1 x G
6	1/4"	7/16"-20	1/8"-27	31,0	14,0	10,0	4,0	4,0	12	1252810-04-02
6	1/4"	7/16"-20	1/4"-18	36,0	14,0	15,0	4,0	4,0	17	1252810-04-04
6	1/4"	7/16"-20	3/8"-18	36,0	14,0	15,3	4,0	9,0	19	1252810-04-06
8	5/16"	1/2"-20	1/8"-27	30,0	14,0	10,0	4,0	4,0	14	1252810-05-02
8	5/16"	1/2"-20	1/4"-18	36,0	14,0	15,0	5,0	5,0	17	1252810-05-04
8	5/16"	1/2"-20	3/8"-18	36,0	14,0	15,3	5,0	9,0	19	1252810-05-06
10	3/8"	9/16"-18	1/8"-27	30,0	14,0	10,0	6,0	4,0	17	1252810-06-02
10	3/8"	9/16"-18	1/4"-18	34,0	14,0	15,0	6,0	6,0	17	1252810-06-04
10	3/8"	9/16"-18	3/8"-18	34,0	14,0	15,3	6,0	6,0	19	1252810-06-06
10	3/8"	9/16"-18	1/2"-14	43,0	14,0	20,0	7,5	13,0	22	1252810-06-08
12	1/2"	3/4"-16	1/4"-18	39,0	17,0	15,0	9,0	5,0	19	1252810-08-04
12	1/2"	3/4"-16	3/8"-18	39,0	17,0	15,3	9,0	9,0	19	1252810-08-06
12	1/2"	3/4"-16	1/2"-14	45,7	17,0	20,0	9,5	9,5	22	1252810-08-08
12	1/2"	3/4"-16	3/4"-14	47,2	17,0	20,0	9,5	17,0	27	1252810-08-12
14, 15, 16	5/8"	7/8"-14	3/8"-18	42,0	19,5	15,3	12,0	9,0	24	1252810-10-06
14, 15, 16	5/8"	7/8"-14	1/2"-14	48,0	19,5	20,0	12,0	12,0	24	1252810-10-08
14, 15, 16	5/8"	7/8"-14	3/4"-14	48,2	19,5	20,0	12,0	18,0	27	1252810-10-12
18, 20	3/4"	1 1/16"-12	3/8"-18	47,0	22,0	15,3	15,0	9,0	27	1252810-12-06
18, 20	3/4"	1 1/16"-12	1/2"-14	52,2	22,0	20,0	15,0	13,5	27	1252810-12-08
18, 20	3/4"	1 1/16"-12	3/4"-14	52,3	22,0	20,0	15,0	15,0	27	1252810-12-12
18, 20	3/4"	1 1/16"-12	1"-11,5	57,5	22,0	25,0	15,0	21,0	36	1252810-12-16
25	1"	1 5/16"-12	1/2"-14	53,2	23,0	20,0	21,0	13,5	36	1252810-16-08
25	1"	1 5/16"-12	3/4"-14	53,0	23,0	20,0	21,0	18,0	36	1252810-16-12
25	1"	1 5/16"-12	1"-11,5	58,0	23,0	25,0	21,0	21,0	36	1252810-16-16
25	1"	1 5/16"-12	1 1/4"-11,5	58,0	23,0	25,5	21,0	31,7	46	1252810-16-20
25	1"	1 5/16"-12	1 1/2"-11,5	62,0	23,0	26,0	21,0	32,0	50	1252810-16-24
28, 30, 32	1 1/4"	1 5/8"-12	1"-11,5	62,0	24,3	25,0	26,5	21,0	46	1252810-20-16
28, 30, 32	1 1/4"	1 5/8"-12	1 1/4"-11,5	62,0	24,3	25,5	26,5	31,7	46	1252810-20-20
28, 30, 32	1 1/4"	1 5/8"-12	1 1/2"-11,5	64,8	24,3	26,0	26,5	38,0	50	1252810-20-24
35, 38	1 1/2"	1 7/8"-12	1 1/2"-11,5	68,0	27,5	26,0	32,0	32,0	50	1252810-24-24
35, 38	1 1/2"	1 7/8"-12	1 1/4"-11,5	66,0	27,5	25,5	31,7	31,7	50	1252810-24-20
50	2"	2 1/2"-12	2"-11,5	72,0	33,9	26,0	45,0	45,0	65	1252810-32-32

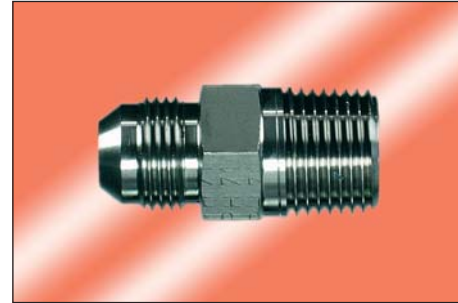
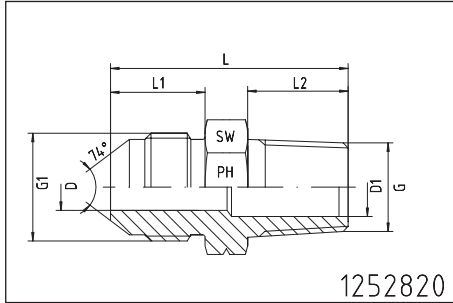
JIC - 37° - ADAPTER



JIC - 37° - ADAPTORS

JIC - männlich
Whitworth-Rohrgewinde - kegelig - männlich

JIC - male
BSP - taper - male



Rohr A.D. Tube O.D.		Gewinde Thread		ca. Maße approx. dimensions						Bestellzeichen Order-Code
mm	in.	G1 = UNF/UN	G = keg.	L	L1	L2	D	D1	SW	G1 x G
6	1/4"	7/16"-20	1/8"-28	29,0	14,0	8	4,0	4,0	12	1252820-04-02
6	1/4"	7/16"-20	1/4"-19	33,0	14,0	12	4,0	4,0	17	1252820-04-04
6	1/4"	7/16"-20	3/8"-19	32,7	14,0	12	4,0	9,0	19	1252820-04-06
8	5/16"	1/2"-20	1/8"-28	28,0	14,0	8	4,0	4,0	14	1252820-05-02
8	5/16"	1/2"-20	1/4"-19	33,0	14,0	12	5,0	5,0	17	1252820-05-04
8	5/16"	1/2"-20	3/8"-19	32,7	14,0	12	5,0	9,0	19	1252820-05-06
10	3/8"	9/16"-18	1/8"-28	28,0	14,0	8	6,0	4,0	17	1252820-06-02
10	3/8"	9/16"-18	1/4"-19	31,0	14,0	12	6,0	6,0	17	1252820-06-04
10	3/8"	9/16"-18	3/8"-19	30,7	14,0	12	6,0	6,0	19	1252820-06-06
10	3/8"	9/16"-18	1/2"-14	37,0	14,0	14	7,5	13,0	22	1252820-06-08
12	1/2"	3/4"-16	1/4"-19	36,0	17,0	12	9,0	5,0	19	1252820-08-04
12	1/2"	3/4"-16	3/8"-19	35,7	17,0	12	9,0	9,0	19	1252820-08-06
12	1/2"	3/4"-16	1/2"-14	39,7	17,0	14	9,5	9,5	22	1252820-08-08
12	1/2"	3/4"-16	3/4"-14	43,2	17,0	16	9,5	17,0	27	1252820-08-12
14, 15, 16	5/8"	7/8"-14	3/8"-19	38,7	19,5	12	12,0	9,0	24	1252820-10-06
14, 15, 16	5/8"	7/8"-14	1/2"-14	42,0	19,5	14	12,0	12,0	24	1252820-10-08
14, 15, 16	5/8"	7/8"-14	3/4"-14	44,2	19,5	16	12,0	18,0	27	1252820-10-12
18, 20	3/4"	1 1/16"-12	1/2"-14	46,2	22,0	14	15,0	13,5	27	1252820-12-08
18, 20	3/4"	1 1/16"-12	3/4"-14	48,3	22,0	16	15,0	15,0	27	1252820-12-12
18, 20	3/4"	1 1/16"-12	1"-11	50,5	22,0	18	15,0	21,0	36	1252820-12-16
25	1"	1 5/16"-12	1/2"-14	47,2	23,0	14	21,0	13,5	36	1252820-16-08
25	1"	1 5/16"-12	3/4"-14	49,0	23,0	16	21,0	18,0	36	1252820-16-12
25	1"	1 5/16"-12	1"-11	51,0	23,0	18	21,0	21,0	36	1252820-16-16
25	1"	1 5/16"-12	1 1/4"-11			20			46	1252820-16-20
25	1"	1 5/16"-12	1 1/2"-11	58,0	23,0	22	21,0	32,0	50	1252820-16-24
28, 30, 32	1 1/4"	1 5/8"-12	1"-11	55,0	24,3	18	26,5	21,0	46	1252820-20-16
28, 30, 32	1 1/4"	1 5/8"-12	1 1/4"-11	56,5	24,3	20	26,5	31,7	46	1252820-20-20
28, 30, 32	1 1/4"	1 5/8"-12	1 1/2"-11	60,8	24,3	22	26,5	38,0	50	1252820-20-24
35, 38	1 1/2"	1 7/8"-12	1 1/2"-11	64,0	27,5	22	32,0	32,0	50	1252820-24-24
35, 38	1 1/2"	1 7/8"-12	1 1/4"-11	60,0	27,5	20	31,7	31,7	50	1252820-24-20
50	2"	2 1/2"-12	2"-11	69,0	33,9	26	45,0	45,0	65	1252820-32-32

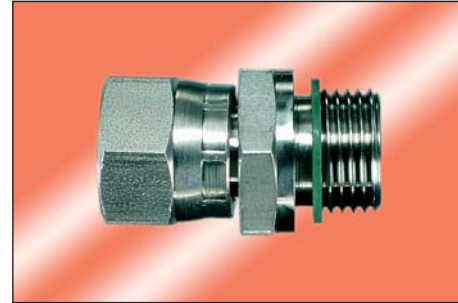
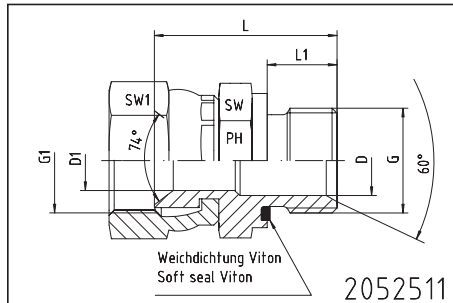
JIC - 37° - ADAPTER



JIC - 37° - ADAPTORS

BSP - männlich
mit gekammerter Weichdichtung
JIC - weiblich - drehbar

BSP - male
with captive soft seal
JIC - female - swivel



Rohr A.D. Tube O.D.		Gewinde Thread		ca. Maße approx. dimensions							Bestellzeichen Order-Code
mm	in.	G1 = UNF/UN	G = BSP	L	L1	D	D1	SW1	SW	G1 x G	
6	1/4"	7/16"-20	1/8"-28	25,0	8	4,5	4,5	17	14	2052511-04-02	
6	1/4"	7/16"-20	1/4"-18	29,0	12	4,5	4,5	17	19	2052511-04-04	
6	1/4"	7/16"-20	3/8"-18					17		2052511-04-06	
8	5/16"	1/2"-20	1/8"-28	25,0	8	4,5	4,5	17	14	2052511-05-02	
8	5/16"	1/2"-20	1/4"-18	29,5	12	5,0	5,0	17	19	2052511-05-04	
8	5/16"	1/2"-20	3/8"-18	30,5	12	7,0	5,0	17	22	2052511-05-06	
10	3/8"	9/16"-18	1/8"-28	26,0	8	4,5	4,5	19	14	2052511-06-02	
10	3/8"	9/16"-18	1/4"-18	30,0	12	6,0	6,0	19	19	2052511-06-04	
10	3/8"	9/16"-18	3/8"-18	30,0	12	7,0	7,0	19	22	2052511-06-06	
10	3/8"	9/16"-18	1/2"-14	34,0	14	12,5	7,0	19	27	2052511-06-08	
12	1/2"	3/4"-16	1/4"-18	31,0	12	6,0	9,0	24	19	2052511-08-04	
12	1/2"	3/4"-16	3/8"-18	33,5	12	9,0	9,0	24	22	2052511-08-06	
12	1/2"	3/4"-16	1/2"-14	36,0	14	10,0	10,0	24	27	2052511-08-08	
12	1/2"	3/4"-16	3/4"-14	39,0	16	15,0	10,0	24	32	2052511-08-12	
14, 15, 16	5/8"	7/8"-14	3/8"-18	34,0	12	9,0	12,5	27	22	2052511-10-06	
14, 15, 16	5/8"	7/8"-14	1/2"-14	34,0	14	12,5	12,5	27	27	2052511-10-08	
14, 15, 16	5/8"	7/8"-14	5/8"-14	37,5	16	14,5	12,0	27	30	2052511-10-10	
14, 15, 16	5/8"	7/8"-14	3/4"-14	41,0	16	15,0	12,5	27	32	2052511-10-12	
18, 20	3/4"	1 1/16"-12	3/8"-18					32		2052511-12-06	
18, 20	3/4"	1 1/16"-12	1/2"-14	38,0	14	12,5	12,5	32	27	2052511-12-08	
18, 20	3/4"	1 1/16"-12	3/4"-14	40,0	16	15,0	15,0	32	32	2052511-12-12	
18, 20	3/4"	1 1/16"-12	1"-11	42,5	18	21,0	15,0	32	41	2052511-12-16	
25	1"	1 5/16"-12	1/2"-14					41		2052511-16-08	
25	1"	1 5/16"-12	3/4"-14	46,5	16	15,0	20,0	41	32	2052511-16-12	
25	1"	1 5/16"-12	1"-11	45,0	18	20,0	20,0	41	41	2052511-16-16	
25	1"	1 5/16"-12	1 1/4"-11					41		2052511-16-20	
28, 30, 32	1 1/4"	1 5/8"-12	1"-11	50,0	18	22,0	22,0	50	41	2052511-20-16	
28, 30, 32	1 1/4"	1 5/8"-12	1 1/4"-11	53,0	20	27,5	27,5	50	50	2052511-20-20	
35, 38	1 1/2"	1 7/8"-12	1 1/4"-11	55,0	20	29,0	29,0	55	50	2052511-24-20	
35, 38	1 1/2"	1 7/8"-12	1 1/2"-11	59,0	22	33,0	33,0	55	55	2052511-24-24	

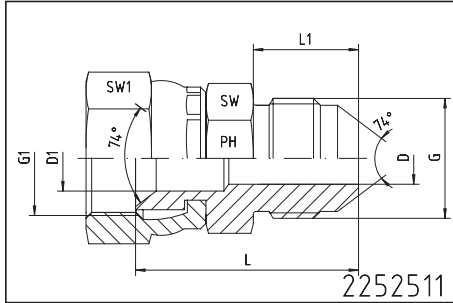
JIC - 37° - ADAPTER



JIC - 37° - ADAPTORS

JIC - männlich
JIC - weiblich - drehbar

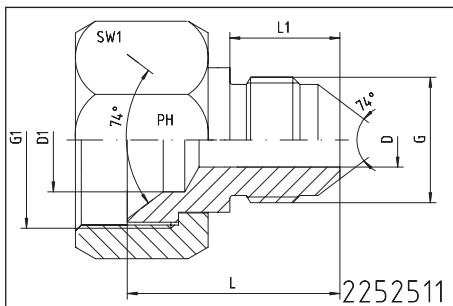
JIC - male
JIC - female - swivel



Form: A



Form: A



Form: B



Form: B

Rohr A.D. Tube O.D.		Gewinde Thread		ca. Maße approx. dimensions						Form Form	Bestellzeichen Order-Code G1 x G
mm	in.	G1 = UNF/UN	G = UNF/UN	L	L1	D1	D	SW1	SW		
6	1/4"	7/16"-20	7/16"-20	29,0	14,0	4,0	4,0	17	12	A	2252511-04-04
6	1/4"	9/16"-18	7/16"-20	26,0	14,0	7,0	4,0	19		B	2252511-06-04
6	1/4"	3/4"-16	7/16"-20	26,0	14,0	9,0	4,0	22		B	2252511-08-04
6	1/4"	7/8"-14	7/16"-20	32,0	14,0	12,0	4,0	27		B	2252511-10-04
8	5/16"	1/2"-20	1/2"-20	30,0	14,0	5,0	5,0	17	14	A	2252511-05-05
10	3/8"	9/16"-18	9/16"-18	30,7	14,0	6,5	6,5	19	17	A	2252511-06-06
10	3/8"	3/4"-16	9/16"-18	26,0	14,0	9,0	7,5	22		B	2252511-08-06
10	3/8"	7/8"-14	9/16"-18	28,0	14,0	11,0	7,5	27		B	2252511-10-06
12	1/2"	9/16"-18	3/4"-16	34,5	17,0	7,0	9,5	19	22	A	2252511-06-08
12	1/2"	3/4"-16	3/4"-16	35,5	17,0	9,5	9,5	24	22	A	2252511-08-08
12	1/2"	7/8"-14	3/4"-16	36,5	17,0	11,0	9,5	27	22	A	2252511-10-08
12	1/2"	1 1/16"-12	3/4"-16	33,0	17,0	15,0	9,5	32		B	2252511-12-08
14, 15, 16	5/8"	3/4"-16	7/8"-14	39,4	19,5	10,0	12,0	24	24	A	2252511-08-10
14, 15, 16	5/8"	7/8"-14	7/8"-14	40,5	19,5	12,0	12,0	27	24	A	2252511-10-10
14, 15, 16	5/8"	1 1/16"-12	7/8"-14	40,6	19,5	15,0	12,0	32	27	A	2252511-12-10
14, 15, 16	5/8"	1 5/16"-12	7/8"-14					41			2252511-16-10
18, 20	3/4"	7/8"-14	1 1/16"-12	45,5	22,0	12,0	15,0	27	28	A	2252511-10-12
18, 20	3/4"	1 1/16"-12	1 1/16"-12	45,6	22,0	15,0	15,0	32	32	A	2252511-12-12
18, 20	3/4"	1 5/16"-12	1 1/16"-12					41			2252511-16-12
25	1"	1 5/16"-12	1 5/16"-12	48,7	23,0	21,0	21,0	41	36	A	2252511-16-16
25	1"	1 5/8"-12	1 5/16"-12	56,9	23,0	26,0	21,0	50		B	2252511-20-16
25	1"	1 7/8"-12	1 5/16"-12	42,0	23,0	30,0	21,0	60		B	2252511-24-16
28, 30, 32	1 1/2"	1 5/16"-12	1 5/8"-12	53,0	24,3	19,0	26,5	50	46	A	2252511-16-20
28, 30, 32	1 1/4"	1 5/8"-12	1 5/8"-12	56,0	24,3	27,5	27,5	50	46	A	2252511-20-20
28, 30, 32	1 1/4"	1 7/8"-12	1 5/8"-12	62,0	24,3	32,0	26,5	55		B	2252511-24-20
35, 38	1 1/2"	1 7/8"-12	1 7/8"-12	60,0	27,5	33,0	33,0	55	50	A	2252511-24-24
35, 38	1 1/2"	2 1/2"-12	1 7/8"-12	66,5	27,5	44,0	32,0	70	65	A	2252511-32-24

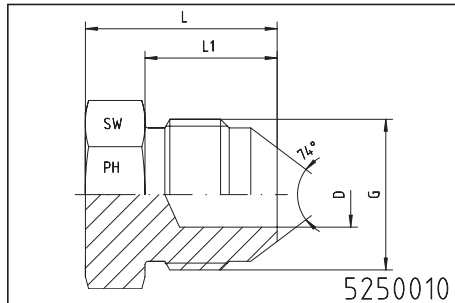
JIC - 37° - ADAPTER



JIC - 37° - ADAPTORS

Verschluss-Stopfen
männlich

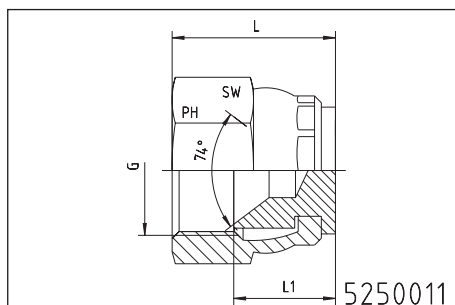
Coned plug
male



Rohr A.D. Tube O.D.		Gewinde Thread G	ca. Maße approx. dimensions				Bestellzeichen Order-Code
mm	in.		L	L1	D	SW	
6	1/4"	7/16"-20 UNF	20,5	14,0	4,0	12	5250010-04
8	5/16"	1/2"-20 UNF	20,5	14,0	5,0	14	5250010-05
10	3/8"	9/16"-18 UNF	22,0	14,0	7,0	17	5250010-06
12	1/2"	3/4"-16 UNF	24,0	17,0	9,5	22	5250010-08
14, 15, 16	5/8"	7/8"-14 UNF	28,0	19,5	12,0	24	5250010-10
18, 20	3/4"	1 1/16"-12 UN	33,0	22,0	15,0	27	5250010-12
25	1"	1 5/16"-12 UN	34,0	23,0	21,5	36	5250010-16
28, 30, 32	1 1/4"	1 5/8"-12 UN	37,7	24,3	27,5	46	5250010-20
35, 38	1 1/2"	1 7/8"-12 UN	42,5	27,5	33,0	50	5250010-24
50	2"	2 1/2"-12 UN	52,0	33,9	45,0	65	5250010-32

Verschlusskappe
JIC - weiblich - drehbare Mutter

Swivel cap - female



Rohr A.D. Tube O.D.		Gewinde Thread G	ca. Maße approx. dimensions			Bestellzeichen Order-Code
mm	in.		L	L1	SW	
6	1/4"	7/16"-20 UNF	20,0	12	17	5250011-04
8	5/16"	1/2"-20 UNF	22,0	12	17	5250011-05
10	3/8"	9/16"-18 UNF	23,0	13	19	5250011-06
12	1/2"	3/4"-16 UNF	25,5	14	24	5250011-08
14, 15, 16	5/8"	7/8"-14 UNF	30,0	18	27	5250011-10
18, 20	3/4"	1 1/16"-12 UN	33,0	18	32	5250011-12
25	1"	1 5/16"-12 UN	36,0	21	41	5250011-16
28, 30, 32	1 1/4"	1 5/8"-12 UN	39,5	22	50	5250011-20
35, 38	1 1/2"	1 7/8"-12 UN	44,0	24	55	5250011-24
50	2"	2 1/2"-12 UN			70	5250011-32

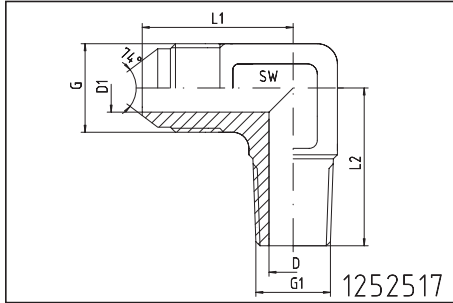
JIC - 37° - WINKEL-ADAPTER



JIC - 37° - ELBOW-ADAPTORS

Außengewinde-Einschrauber - 90°
 JIC - männlich
 NPT - männlich

Male-90°-elbow
 JIC - male
 NPT - male



Rohr A.D. Tube O.D.		Gewinde Thread		ca. Maße approx. dimensions					Bestellzeichen Order-Code G x G1
mm	in.	G = UNF/UN	G1 = NPT	L1	L2	D	D1	SW	
6	1/4"	7/16"-20	1/8"-27						1252517-04-02
6	1/4"	7/16"-20	1/4"-18	28,5	26,5	4,5	4,5		1252517-04-04
6	1/4"	7/16"-20	3/8"-18						1252517-04-06
8	5/16"	1/2"-20	1/8"-27						1252517-05-02
8	5/16"	1/2"-20	1/4"-18						1252517-05-04
8	5/16"	1/2"-20	3/8"-18						1252517-05-06
10	3/8"	9/16"-18	1/8"-27	27,0	25,0	4,0	7,5	14	1252517-06-02
10	3/8"	9/16"-18	1/4"-18	27,0	25,0	7,5	7,5	14	1252517-06-04
10	3/8"	9/16"-18	3/8"-18	27,0	27,0	8,5	7,5	14	1252517-06-06
10	3/8"	9/16"-18	1/2"-14						1252517-06-08
12	1/2"	3/4"-16	1/4"-18	31,0	29,5		10,0	19	1252517-08-04
12	1/2"	3/4"-16	3/8"-18	31,0	29,5	10,0	10,0	19	1252517-08-06
12	1/2"	3/4"-16	1/2"-14	31,0	34,0	10,0	10,0	19	1252517-08-08
14, 15, 16	5/8"	7/8"-14	3/8"-18	37,5	37,0	10,0	12,5	24	1252517-10-06
14, 15, 16	5/8"	7/8"-14	1/2"-14	37,5	38,0	14,0	12,5	24	1252517-10-08
14, 15, 16	5/8"	7/8"-14	3/4"-14	37,5	41,5	15,5	12,5	24	1252517-10-12
18, 20	3/4"	1 1/16"-12	1/2"-14	42,0	38,0	14,0	15,5	24	1252517-12-08
18, 20	3/4"	1 1/16"-12	3/4"-14	42,0	41,5	15,5	15,5	24	1252517-12-12
18, 20	3/4"	1 1/16"-12	1"-11,5					24	1252517-12-16
25	1"	1 5/16"-12	1/2"-14					33	1252517-16-08
25	1"	1 5/16"-12	3/4"-14					33	1252517-16-12
25	1"	1 5/16"-12	1"-11,5	49,0	50,0	21,0		33	1252517-16-16
28, 30, 32	1 1/4"	1 5/8"-12	1"-11,5						1252517-20-16
28, 30, 32	1 1/4"	1 5/8"-12	1 1/4"-11,5						1252517-20-20
35, 38	1 1/2"	1 7/8"-12	1 1/4"-11,5						1252517-24-20
35, 38	1 1/2"	1 7/8"-12	1 1/2"-11,5						1252517-24-24

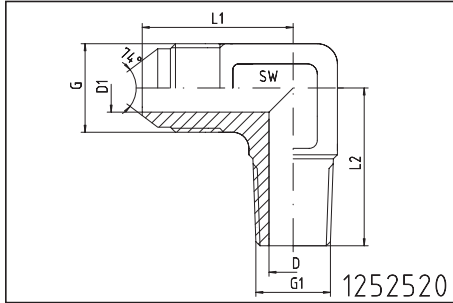
JIC - 37° - WINKEL-ADAPTER



JIC - 37° - ELBOW-ADAPTORS

Außengewinde-Einschrauber - 90°
 JIC - männlich
 Whitworth-Rohrgewinde - kegelig - männlich

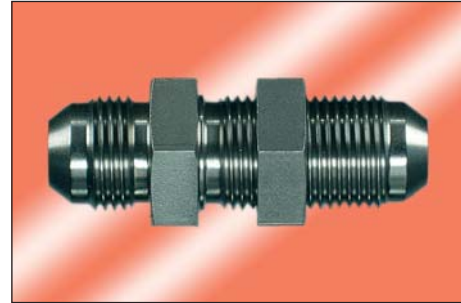
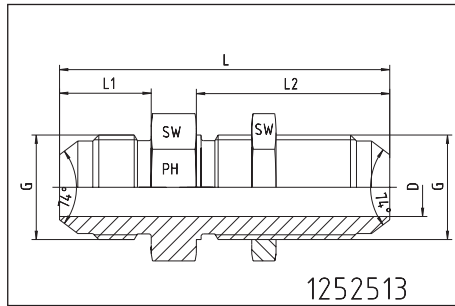
Male-90°-elbow
 JIC - male
 BSP - taper - male



Rohr A.D. Tube O.D.		Gewinde Thread		ca. Maße approx. dimensions					Bestellzeichen Order-Code
mm	in.	G = UNF/UN	G1 = keg.	L1	L2	D	D1	SW	G x G1
6	1/4"	7/16"-20	1/8"-28						1252520-04-02
6	1/4"	7/16"-20	1/4"-19						1252520-04-04
6	1/4"	7/16"-20	3/8"-19						1252520-04-06
8	5/16"	1/2"-20	1/8"-28						1252520-05-02
8	5/16"	1/2"-20	1/4"-19						1252520-05-04
8	5/16"	1/2"-20	3/8"-19						1252520-05-06
10	3/8"	9/16"-18	1/8"-28						1252520-06-02
10	3/8"	9/16"-18	1/4"-19						1252520-06-04
10	3/8"	9/16"-18	3/8"-19						1252520-06-06
10	3/8"	9/16"-18	1/2"-14						1252520-06-08
12	1/2"	3/4"-16	1/4"-19						1252520-08-04
12	1/2"	3/4"-16	3/8"-19						1252520-08-06
12	1/2"	3/4"-16	1/2"-14						1252520-08-08
14, 15, 16	5/8"	7/8"-14	3/8"-19						1252520-10-06
14, 15, 16	5/8"	7/8"-14	1/2"-14						1252520-10-08
14, 15, 16	5/8"	7/8"-14	3/4"-14						1252520-10-12
18, 20	3/4"	1 1/16"-12	1/2"-14						1252520-12-08
18, 20	3/4"	1 1/16"-12	3/4"-14						1252520-12-12
18, 20	3/4"	1 1/16"-12	1"-11						1252520-12-16
25	1"	1 5/16"-12	1/2"-14						1252520-16-08
25	1"	1 5/16"-12	3/4"-14						1252520-16-12
25	1"	1 5/16"-12	1"-11						1252520-16-16
28, 30, 32	1 1/4"	1 5/8"-12	1"-11						1252520-20-16
28, 30, 32	1 1/4"	1 5/8"-12	1 1/4"-11						1252520-20-20
35, 38	1 1/2"	1 7/8"-12	1 1/4"-11						1252520-24-20
35, 38	1 1/2"	1 7/8"-12	1 1/2"-11						1252520-24-24

Gerade Schottverschraubungen

Straight bulkhead connections



Rohr A.D. Tube O.D.		Gewinde Thread G	ca. Maße approx. dimensions					Bestellzeichen Order-Code
mm	in.		L	L1	L2	D	SW	
6	1/4"	7/16"-20 UNF	52,5	14,0	31,5	4,0	17	1252513-04-04
8	5/16"	1/2"-20 UNF	52,5	14,0	31,5	6,0	19	1252513-05-05
10	3/8"	9/16"-18 UNF	55,5	14,0	33,0	7,5	22	1252513-06-06
12	1/2"	3/4"-16 UNF	62,0	16,5	37,0	10,0	24	1252513-08-08
14, 15, 16	5/8"	7/8"-14 UNF	69,5	19,0	40,5	12,0	30	1252513-10-10
18, 20	3/4"	1 1/16"-12 UN	78,5	21,5	45,0	15,5	36	1252513-12-12
25	1"	1 5/16"-12 UN	80,0	23,1	44,4	21,5	41	1252513-16-16
28, 30, 32	1 1/4"	1 5/8"-12 UN	84,0	24,3	45,7	27,5	50	1252513-20-20
35, 38	1 1/2"	1 7/8"-12 UN	89,5	27,5	46,0	33,0	55	1252513-24-24
50	2"	2 1/2"-12 UN	106,5	33,9	53,0	45,0	70	1252513-32-32

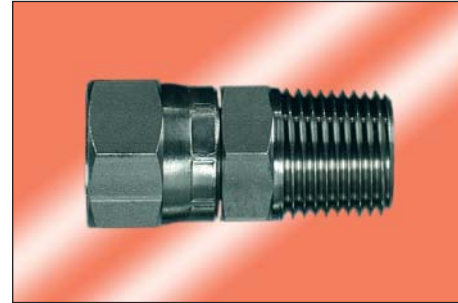
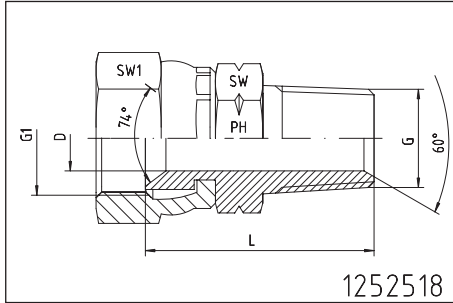
JIC - 37° - GERADE ADAPTER



JIC - 37° - STRAIGHT ADAPTORS

JIC - weiblich
NPT - männlich

JIC - female - swivel
NPT - male



Rohr A.D. Tube O.D.		Gewinde Thread		ca. Maße approx. dimensions				Bestellzeichen Order-Code G1 x G
mm	in.	G1 = UNF/UN	G = NPT	L	D	SW1	SW	
6	1/4"	7/16"-20	1/8"-27	24,0	4,0	17	12	1252518-04-02
6	1/4"	7/16"-20	1/4"-18	30,0	4,0	17	17	1252518-04-04
6	1/4"	7/16"-20	3/8"-18			17		1252518-04-06
8	5/16"	1/2"-20	1/8"-27	24,0	4,0	17	12	1252518-05-02
8	5/16"	1/2"-20	1/4"-18	30,0	4,0	17	14	1252518-05-04
8	5/16"	1/2"-20	3/8"-18	31,0	4,0	17	19	1252518-05-06
10	3/8"	9/16"-18	1/8"-27	24,5	4,0	19	14	1252518-06-02
10	3/8"	9/16"-18	1/4"-18	30,0	6,0	19	17	1252518-06-04
10	3/8"	9/16"-18	3/8"-18	31,5	7,0	19	19	1252518-06-06
10	3/8"	9/16"-18	1/2"-14	36,0	7,0	19	22	1252518-06-08
12	1/2"	3/4"-16	1/4"-18	32,0	6,0	24	17	1252518-08-04
12	1/2"	3/4"-16	3/8"-18	32,5	9,0	24	19	1252518-08-06
12	1/2"	3/4"-16	1/2"-14	39,0	9,0	24	22	1252518-08-08
12	1/2"	3/4"-16	3/4"-14	40,0	10,0	24	27	1252518-08-12
14, 15, 16	5/8"	7/8"-14	3/8"-18	35,0	9,0	27	22	1252518-10-06
14, 15, 16	5/8"	7/8"-14	1/2"-14	40,0	12,0	27	22	1252518-10-08
14, 15, 16	5/8"	7/8"-14	3/4"-14	41,0	12,5	27	27	1252518-10-12
18, 20	3/4"	1 1/16"-12	1/2"-14	41,0	13,5	32	27	1252518-12-08
18, 20	3/4"	1 1/16"-12	3/4"-14	41,0	15,0	32	27	1252518-12-12
18, 20	3/4"	1 1/16"-12	1"-11,5	46,0	15,0	32	36	1252518-12-16
25	1"	1 5/16"-12	1/2"-14					1252518-16-08
25	1"	1 5/16"-12	3/4"-14	45,0	18,0	41	32	1252518-16-12
25	1"	1 5/16"-12	1"-11,5	48,0	21,0	41	36	1252518-16-16
25	1"	1 5/16"-12	1 1/4"-11,5			41		1252518-16-20
28, 30, 32	1 1/4"	1 5/8"-12	1"-11,5			50		1252518-20-16
28, 30, 32	1 1/4"	1 5/8"-12	1 1/4"-11,5	52,0	27,5	50	46	1252518-20-20
28, 30, 32	1 1/4"	1 5/8"-12	1 1/2"-11,5			50		1252518-20-24
35, 38	1 1/2"	1 7/8"-12	1 1/4"-11,5	54,0	32,0	55	46	1252518-24-20
35, 38	1 1/2"	1 7/8"-12	1 1/2"-11,5	54,5	33,0	55	50	1252518-24-24

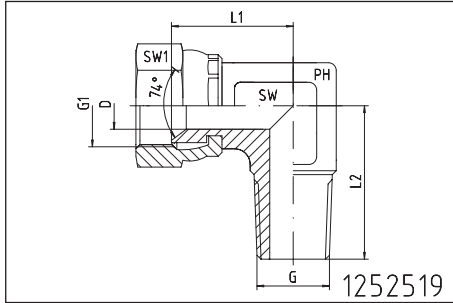
JIC - 37° - WINKEL-ADAPTER



JIC - 37° - ELBOW-ADAPTORS

Winkel-Adapter
JIC - weiblich - drehbar
NPT - männlich

90°-swivel-male-elbow
JIC - female - swivel
NPT - male



Rohr A.D. Tube O.D.		Gewinde Thread		ca. Maße approx. dimensions					Bestellzeichen Order-Code
mm	in.	G1 = UNF/UN	G = NPT	L1	L2	D	SW	SW1	G1 x G
6	1/4"	7/16"-20	1/8"-27					17	1252519-04-02
6	1/4"	7/16"-20	1/4"-18					17	1252519-04-04
6	1/4"	7/16"-20	3/8"-18					17	1252519-04-06
8	5/16"	1/2"-20	1/8"-27					17	1252519-05-02
8	5/16"	1/2"-20	1/4"-18					17	1252519-05-04
8	5/16"	1/2"-20	3/8"-18					17	1252519-05-06
10	3/8"	9/16"-18	1/4"-18	22,3	25,0	7,5	14	19	1252519-06-04
10	3/8"	9/16"-18	3/8"-18	22,3	27,0	7,5	14	19	1252519-06-06
10	3/8"	9/16"-18	1/2"-14					19	1252519-06-08
12	1/2"	3/4"-16	1/4"-18	24,5	29,5	10,0	19	24	1252519-08-04
12	1/2"	3/4"-16	3/8"-18	24,5	29,5	10,0	19	24	1252519-08-06
12	1/2"	3/4"-16	1/2"-14	24,5	34,0	10,0		24	1252519-08-08
12	1/2"	3/4"-16	3/4"-14					24	1252519-08-12
14, 15, 16	5/8"	7/8"-14	3/8"-18	29,5	37,0	12,0	24	27	1252519-10-06
14, 15, 16	5/8"	7/8"-14	1/2"-14	29,5	38,0	12,0	24	27	1252519-10-08
14, 15, 16	5/8"	7/8"-14	3/4"-14	29,5	41,5	12,0	24	27	1252519-10-12
18, 20	3/4"	1 1/16"-12	1/2"-14	31,0	38,0	15,5	24	32	1252519-12-08
18, 20	3/4"	1 1/16"-12	3/4"-14	31,0	41,5	15,5	24	32	1252519-12-12
18, 20	3/4"	1 1/16"-12	1"-11,5					32	1252519-12-16
25	1"	1 5/16"-12	3/4"-14				33	41	1252519-16-12
25	1"	1 5/16"-12	1"-11,5				33	41	1252519-16-16
25	1"	1 5/16"-12	1 1/4"-11,5					41	1252519-16-20
28, 30, 32	1 1/4"	1 5/8"-12	1"-11,5					50	1252519-20-16
28, 30, 32	1 1/4"	1 5/8"-12	1 1/4"-11,5					50	1252519-20-20
28, 30, 32	1 1/4"	1 5/8"-12	1 1/2"-11,5					50	1252519-20-24
35, 38	1 1/2"	1 7/8"-12	1 1/4"-11,5					55	1252519-24-20
35, 38	1 1/2"	1 7/8"-12	1 1/2"-11,5					55	1252519-24-24

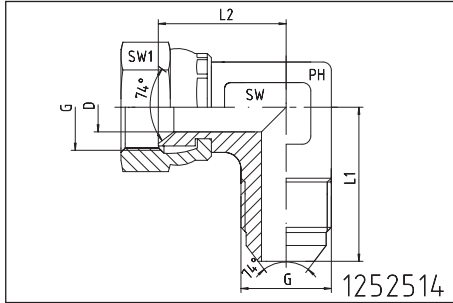
JIC - 37° - WINKEL-ADAPTER



JIC - 37° - ELBOW-ADAPTORS

Winkel-Adapter
DKJ - AGJ

Swivel-elbow-adaptors
DKJ - AGJ



Rohr A.D. Tube O.D.		Gewinde Thread G = UNF/UN	ca. Maße approx. dimensions					Bestellzeichen Order-Code
mm	in.		L1	L2	D	SW	SW1	
6	1/4"	7/16"-20	22,5	16,7	4,0	12	14	1252514-04-04
8	5/16"	1/2"-20	24,0	17,5	5,5	13	17	1252514-05-05
10	3/8"	9/16"-18	27,0	22,5	7,5	14	19	1252514-06-06
12	1/2"	3/4"-16	32,0	24,5	10,0	19	24	1252514-08-08
14, 15, 16	5/8"	7/8"-14	37,5	29,5	12,0	24	27	1252514-10-10
18, 20	3/4"	1 1/16"-12	42,0	31,0	15,5	24	32	1252514-12-12
25	1"	1 5/16"-12	46,0	35,7	21,5	33	41	1252514-16-16
28, 30, 32	1 1/4"	1 5/8"-12	52,5	42,8	27,5	41	50	1252514-20-20
35, 38	1 1/2"	1 7/8"-12	59,0	47,2	33,0	48	60	1252514-24-24

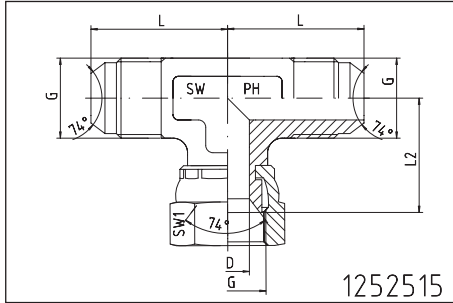
JIC - 37° - TE-ADAPTER



JIC - 37° - TEE-ADAPTORS

AGJ - DKJ - AGJ

Swivel-branch tee
AGJ - DKJ - AGJ



Rohr A.D. Tube O.D.		Gewinde Thread G	ca. Maße approx. dimensions					Bestellzeichen Order-Code
mm	in.		L	L2	D	SW	SW1	
6	1/4"	7/16"-20 UNF	22,5	16,7	4,0	12	14	1252515-04-04-04
8	5/16"	1/2"-20 UNF	24,0	17,5	5,5	13	17	1252515-05-05-05
10	3/8"	9/16"-18 UNF	27,0	22,3	7,5	14	19	1252515-06-06-06
12	1/2"	3/4"-16 UNF	31,0	24,5	10,0	19	24	1252515-08-08-08
14, 15, 16	5/8"	7/8"-14 UNF	37,5	29,5	12,0	24	27	1252515-10-10-10
18, 20	3/4"	1 1/16"-12 UN	42,0	31,0	15,5	24	32	1252515-12-12-12
25	1"	1 5/16"-12 UN	46,0	35,7	21,5	33	41	1252515-16-16-16
28, 30, 32	1 1/4"	1 5/8"-12 UN	52,5	42,8	27,5	41	50	1252515-20-20-20
35, 38	1 1/2"	1 7/8"-12 UN	59,0	47,2	33,0	48	60	1252515-24-24-24

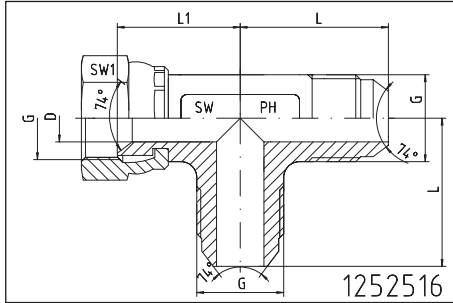
JIC - 37° - LE-ADAPTER



JIC - 37° - TEE-ADAPTORS

DKJ - AGJ - AGJ

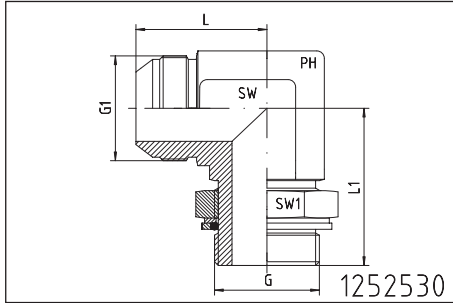
Swivel-run tee
DKJ - AGJ - AGJ



Rohr A.D. Tube O.D.		Gewinde Thread G	ca. Maße approx. dimensions					Bestellzeichen Order-Code
mm	in.		L	L1	D	SW	SW1	
6	1/4"	7/16"-20 UNF	22,5	16,7	4,0	12	14	1252516-04-04-04
8	5/16"	1/2"-20 UNF	24,0	17,5	5,5	13	17	1252516-05-05-05
10	3/8"	9/16"-18 UNF	27,0	22,3	7,5	14	19	1252516-06-06-06
12	1/2"	3/4"-16 UNF	31,0	24,5	10,0	19	24	1252516-08-08-08
14, 15, 16	5/8"	7/8"-14 UNF	37,5	29,5	12,0	24	27	1252516-10-10-10
18, 20	3/4"	1 1/16"-12 UN	42,0	31,0	15,5	24	32	1252516-12-12-12
25	1"	1 5/16"-12 UN	46,0	35,7	21,5	33	41	1252516-16-16-16
28, 30, 32	1 1/4"	1 5/8"-12 UN	52,5	42,8	27,5	41	50	1252516-20-20-20
35, 38	1 1/2"	1 7/8"-12 UN	59,9	47,2	33,0	48	60	1252516-24-24-24

Einstellbare Winkel-Verschraubungen
 Einschraubgewinde G: Whitworth-Rohrgewinde - zylindrisch
 Abdichtung durch gekammerten O-Ring

adjustable
 Thread: BSP - parallel
 Sealing by captive O-ring and washer



Rohr A.D. Tube O.D.		Gewinde Thread		ca. Maße approx. dimensions				Bestellzeichen Order-Code
mm	in.	G1 = UNF/UN	G = BSP	L	L1	SW	SW1	G1 x G
6	1/4"	7/16"-20	1/8"	22,6	26,5	11	14	1252530-04-02
6	1/4"	7/16"-20	1/4"	22,6	32,0	14	19	1252530-04-04
8	5/16"	1/2"-20	1/4"	26,6	32,0	14	19	1252530-05-04
10	3/8"	9/16"-18	1/4"	26,9	32,0	14	19	1252530-06-04
10	3/8"	9/16"-18	3/8"	29,0	37,0	19	22	1252530-06-06
10	3/8"	9/16"-18	1/2"	31,0	43,0	22	27	1252530-06-08
12	1/2"	3/4"-16	3/8"	31,8	37,0	19	22	1252530-08-06
12	1/2"	3/4"-16	1/2"	33,8	43,0	22	27	1252530-08-08
14, 15, 16	5/8"	7/8"-14	1/2"	36,8	43,0	22	27	1252530-10-08
18, 20	3/4"	1 1/16"-12	1/2"	42,2	49,5	27	27	1252530-12-08
18, 20	3/4"	1 1/16"-12	3/4"	42,2	49,5	27	36	1252530-12-12
25	1"	1 5/16"-12	1"	46,0	52,0	33	41	1252530-16-16
28, 30, 32	1 1/4"	1 5/8"-12	1 1/4"	52,3	57,0	41	50	1252530-20-20
35, 38	1 1/2"	1 7/8"-12	1 1/2"	59,2	60,5		55	1252530-24-24