

S series DIN Female 90 Elbow

BOOK INDEX

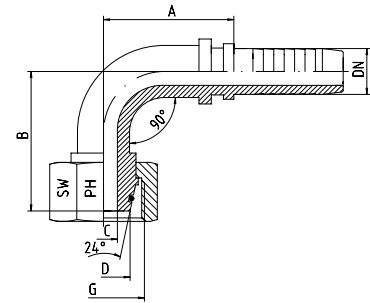
SECTION INDEX

To interface with compression fittings with a 24° cone to DIN 2353 / DIN EN ISO 8434-1

Heavy Series = DKOS - 90°

O-ring = NBR

On Request: Viton



2

Hose DN	Bore in.	Thread G	Tube O.D. D	Approx. Dimensions				Part code
				A	B	C	SW	
05	3/16"	M 14 x 1.5	6				17	DKOS-06-90°-DN 05
06	1/4"	M 14 x 1.5	6	28.0	28.5	4.0	17	DKOS-06-90°-DN 06
05	3/16"	M 16 x 1.5	8	28.0	28.5	3.0	19	DKOS-08-90°-DN 05
06	1/4"	M 16 x 1.5	8	28.0	29.5	4.0	19	DKOS-08-90°-DN 06
08	5/16"	M 16 x 1.5	8	36.0	40.5	4.0	19	DKOS-08-90°-DN 08
06	1/4"	M 18 x 1.5	10	28.5	29.5	4.0	22	DKOS-10-90°-DN 06
08	5/16"	M 18 x 1.5	10	31.5	39.0	5.5	22	DKOS-10-90°-DN 08
10	3/8"	M 18 x 1.5	10	35.0	37.5	7.0	22	DKOS-10-90°-DN 10
06	1/4"	M 20 x 1.5	12	29.0	33.5	4.0	24	DKOS-12-90°-DN 06
08	5/16"	M 20 x 1.5	12	34.5	37.0	5.5	24	DKOS-12-90°-DN 08
10	3/8"	M 20 x 1.5	12	34.0	38.0	7.0	24	DKOS-12-90°-DN 10
12	1/2"	M 20 x 1.5	12	45.0	53.0	8.5	24	DKOS-12-90°-DN 12
10	3/8"	M 22 x 1.5	14	42.0	42.0	7.0	27	DKOS-14-90°-DN 10
10	3/8"	M 24 x 1.5	16	43.0	42.5	7.0	30	DKOS-16-90°-DN 10
12	1/2"	M 24 x 1.5	16	44.0	45.5	9.5	30	DKOS-16-90°-DN 12
12	1/2"	M 30 x 2	20	46.0	59.0	9.5	36	DKOS-20-90°-DN 12
16	5/8"	M 30 x 2	20	59.0	51.0	12.5	36	DKOS-20-90°-DN 16
19	3/4"	M 30 x 2	20	61.5	54.5	12.5	36	DKOS-20-90°-DN 19
19	3/4"	M 36 x 2	25	72.0	64.0	14.5	46	DKOS-25-90°-DN 19
25	1"	M 36 x 2	25	79.0	79.0	18.5	46	DKOS-25-90°-DN 25
19	3/4"	M 42 x 2	30	73.0	73.5	14.5	50	DKOS-30-90°-DN 19
25	1"	M 42 x 2	30	85.0	84.0	20.0	50	DKOS-30-90°-DN 25
25	1"	M 52 x 2	38	106.5	96.5	20.0	60	DKOS-38-90°-DN 25
31	1 1/4"	M 52 x 2	38	101.0	100.0	25.0	60	DKOS-38-90°-DN 31
38	1 1/2"	M 68 x 2	50	124.0	111.0	31.0	80	DKOS-50-90°-DN 38