

**Interlock series, for high pressures.**

DIN 2353 metric compression swivel female

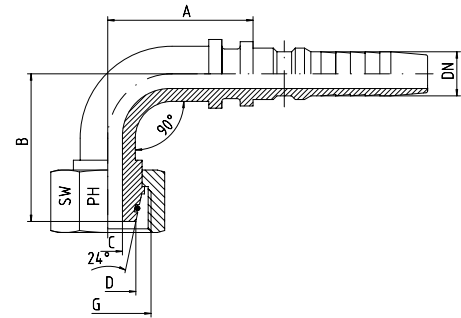
L series - swept 90°

ISO 8434-1 / DIN 2353

Specifically designed for use with ferrules

P4, P6 or P7 - pp. 3.02 to 3.04.

Hoses must be skived internally and externally.



3

Hose DN	Bore in.	Thread G	Tube O.D. D	Approx. Dimensions				Part code
				A	B	C	SW	
19	3/4"	M 30 x 2	22	78.5	80	14.5	36	I-DKOL-22-90°-DN 19
25	1"	M 36 x 2	28	87.0	92	20.0	41	I-DKOL-28-90°-DN 25
31	1 1/4"	M 45 x 2	35	103.0	98	25.0	50	I-DKOL-35-90°-DN 31
38	1 1/2"	M 52 x 2	42	124.0	117	31.0	60	I-DKOL-42-90°-DN 38