

BSP to BSP taper male male 90° elbow

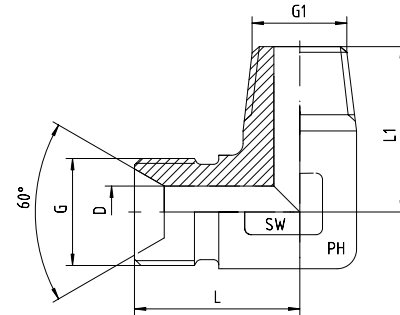
BOOK INDEX

SECTION INDEX

BSP parallel 60° coned male to BSP taper male 90° elbow

ISO 8434-6 / BS 5200

Please note - the male BSPP thread does not have a form B sealing shoulder or any shoulder to accept a bonded seal!



5

Pressure PN	Thread		Approx. Dimensions				Part code
	G = BSP zyl.	G1 = keg.	L	L1	D	SW	
400	1/8"-28	1/8"-28	20.0	20.0	4.0	12	1350500-02
400	1/4"-19	1/4"-19	24.5	26.0	6.0	14	1350500-04
400	3/8"-19	3/8"-19	25.5	25.5	8.0	17	1350500-06
400	1/2"-14	1/2"-14	29.5	35.0	11.0	19	1350500-08
400	3/4"-14	3/4"-14	37.0	37.0	16.0	27	1350500-12
400	1"-11	1"-11	43.0	43.0	22.0	36	1350500-16
200	1 1/4"-11	1 1/4"-11	51.0	51.0	28.5	41	1350500-20
200	1 1/2"-11	1 1/2"-11	59.0	63.0	33.5	50	1350500-24
100	2"-11	2"-11	77.5	77.5	45.0	65	1350500-32