

BSP male - fixed female reducing bush

BOOK INDEX

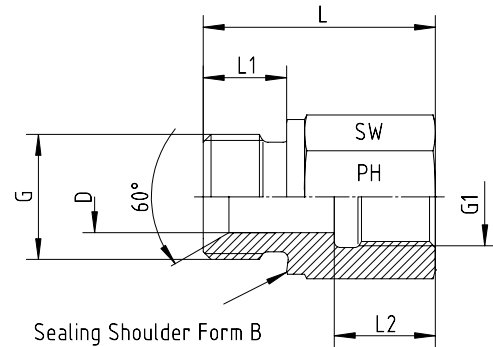
SECTION INDEX

BSP parallel 60° coned male to BSP parallel fixed female reducing bush

Type - "Form B".

Form B sealing shoulder.

Both threads BSP to DIN/ISO 228.



Pressure PN	Thread		Approx. Dimensions					Form	Part code
	G = BSP	G1 = BSP	L	L1	L2	D	SW		
630	1/8"-28	1/8"-28	23.5	8.0	11.0	4.5	17	B	1050515-02-02
630	1/8"-28	1/4"-19	31.0	8.0	17.0	4.0	19	B	1050515-02-04
630	1/8"-28	3/8"-19	32.0	8.0	17.0	4.0	24	B	1050515-02-06
630	1/8"-28	1/2"-14	37.0	8.0	20.0	4.0	27	B	1050515-02-08
630	1/4"-19	1/8"-28	28.0	12.0	12.0	7.0	19	B	1050515-04-02
630	1/4"-19	1/4"-19	32.0	10.0	17.0	6.0	19	B	1050515-04-04
630	1/4"-19	3/8"-19	36.0	12.0	17.0	7.0	24	B	1050515-04-06
630	1/4"-19	1/2"-14	40.0	12.0	20.0	5.0	27	B	1050515-04-08
630	1/4"-19	3/4"-14	43.0	12.0	22.0	6.0	36	B	1050515-04-12
400	3/8"-19	1/4"-19	36.0	12.0	17.0	8.0	22	B	1050515-06-04
400	3/8"-19	3/8"-19	36.0	12.0	17.0	9.0	24	B	1050515-06-06
400	3/8"-19	1/2"-14	41.0	12.0	20.0	8.0	27	B	1050515-06-08
400	3/8"-19	3/4"-14	44.0	12.0	22.0	8.0	36	B	1050515-06-12
400	3/8"-19	1"-11	46.5	12.0	24.5	8.0	41	B	1050515-06-16
400	1/2"-14	3/8"-19	36.0	14.0	17.0	12.0	27	B	1050515-08-06
400	1/2"-14	1/2"-14	39.0	14.0	20.0	12.0	27	B	1050515-08-08
400	1/2"-14	3/4"-14	46.0	14.0	22.0	12.0	36	B	1050515-08-12
400	1/2"-14	1"-11	49.0	14.0	24.5	12.0	41	B	1050515-08-16
250	1/2"-14	1 1/4"-11	53.0	14.0	26.5	12.0	55	B	1050515-08-20
400	3/4"-14	1/2"-14	41.0	16.0	20.0	16.0	32	B	1050515-12-08
400	3/4"-14	3/4"-14	45.0	16.0	22.5	18.0	32	B	1050515-12-12
400	3/4"-14	1"-11	51.0	16.0	24.5	16.0	41	B	1050515-12-16
250	3/4"-14	1 1/4"-11	55.0	16.0	26.5	16.0	55	B	1050515-12-20
250	3/4"-14	1 1/2"-11	57.0	16.0	28.5	16.0	60	B	1050515-12-24
400	1"-11	3/4"-14	47.0	18.0	22.0	20.0	41	B	1050515-16-12
400	1"-11	1"-11	49.5	18.0	24.5	22.0	41	B	1050515-16-16
250	1"-11	1 1/4"-11	57.0	18.0	26.5	20.0	55	B	1050515-16-20
250	1"-11	1 1/2"-11	59.0	18.0	28.5	20.0	60	B	1050515-16-24
250	1 1/4"-11	1"-11	52.0	20.0	24.5	25.0	50	B	1050515-20-16
250	1 1/4"-11	1 1/4"-11	58.0	20.0	27.0	25.0	50	B	1050515-20-20
250	1 1/4"-11	1 1/2"-11	60.0	20.0	28.5	25.0	60	B	1050515-20-24
250	1 1/2"-11	1 1/4"-11	58.0	22.0	26.5	32.0	55	B	1050515-24-20
250	1 1/2"-11	1 1/2"-11	58.0	22.0	27.5	37.0	55	B	1050515-24-24
100	2"-11	2"-11	64.5	23.0	30.5	43.0	70	B	1050515-32-32