

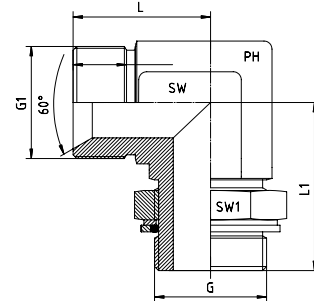
Pro BSPP male positionable male 90° elbow duct

BOOK INDEX

SECTION INDEX

BSP parallel 60° coned male-male 90° positionable elbow.

Seals via captive Viton O-ring and washer (supplied).



5

Pressure PN	Thread		Approx. Dimensions				Part code G1 x G
	G1 = BSP	G = BSP	L	L1	SW	SW1	
400	1/4" -19	1/4" -19	27	31.5	14	19	1350501-04-04
400	3/8" -19	3/8" -19	29	37.0	19	22	1350501-06-06
400	3/8" -19	1/2" -14	32	43.0	22	27	1350501-06-08
400	1/2" -14	3/8" -19	34	40.0	22	22	1350501-08-06
400	1/2" -14	1/2" -14	34	43.0	22	27	1350501-08-08
400	3/4" -14	3/4" -14	41	50.0	27	36	1350501-12-12
400	1" -11	1" -11	46	53.0	33	41	1350501-16-16