



24° compression fittings to ISO 8434-1 / DIN 2353

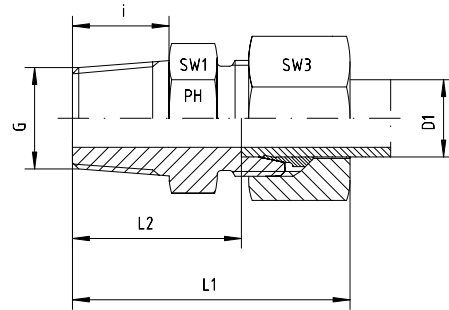
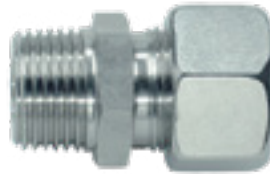
Male stud coupling to BSP taper

BOOK INDEX

SECTION INDEX

to ISO 8434-1 / DIN 2353

LL and L series



Series	Pressure PN	Tube O.D. D1	Thread G	Approx. Dimensions					Part code
				L1	L2	i	SW1	SW3	
LL	100	4	R 1/8" keg	26	16.0	8	11	10	GE-LL-04-R 1/8"-k
LL	100	6	R 1/8" keg	26	14.5	8	11	12	GE-LL-06-R 1/8"-k
LL	100	6	R 1/4" keg	31	18.5	12	14	12	GE-LL-06-R 1/4"-k
LL	100	8	R 1/8" keg	28	16.5	8	12	14	GE-LL-08-R 1/8"-k
LL	100	8	R 1/4" keg	32	20.5	12	14	12	GE-LL-08-R 1/4"-k

Series	Pressure PN	Tube O.D. D1	Thread G	Approx. Dimensions					Part code
				L1	L2	i	SW1	SW3	
L	315	6	R 1/8" keg	30	15.0	8	14	14	GE-L-06-R 1/8"-k
L	315	6	R 1/4" keg	35	20.0	12	17	14	GE-L-06-R 1/4"-k
L	315	6	R 3/8" keg	36	21.0	12	17	14	GE-L-06-R 3/8"-k
L	315	6	R 1/2" keg	40	23.0	14	22	14	GE-L-06-R 1/2"-k
L	315	8	R 1/8" keg	31	16.0	8	14	17	GE-L-08-R 1/8"-k
L	315	8	R 1/4" keg	35	20.0	12	17	17	GE-L-08-R 1/4"-k
L	315	8	R 3/8" keg	35	20.0	12	17	17	GE-L-08-R 3/8"-k
L	315	8	R 1/2" keg	38	22.0	14	22	17	GE-L-08-R 1/2"-k
L	315	10	R 1/8" keg	32	17.0	8	17	19	GE-L-10-R 1/8"-k
L	315	10	R 1/4" keg	36	21.0	12	17	19	GE-L-10-R 1/4"-k
L	315	10	R 3/8" keg	36	21.0	12	17	19	GE-L-10-R 3/8"-k
L	315	10	R 1/2" keg	39	24.0	14	22	19	GE-L-10-R 1/2"-k
L	315	12	R 1/8" keg			8	19	22	GE-L-12-R 1/8"-k
L	315	12	R 1/4" keg	37	22.0	12	19	22	GE-L-12-R 1/4"-k
L	315	12	R 3/8" keg	37	22.0	12	19	22	GE-L-12-R 3/8"-k
L	315	12	R 1/2" keg	39	24.0	14	22	22	GE-L-12-R 1/2"-k
L	160	12	R 3/4" keg	43	27.0	16	27	22	GE-L-12-R 3/4"-k
L	315	15	R 1/4" keg			12	24	27	GE-L-15-R 1/4"-k
L	315	15	R 3/8" keg	38	23.0	12	24	27	GE-L-15-R 3/8"-k
L	315	15	R 1/2" keg	40	25.0	14	24	27	GE-L-15-R 1/2"-k
L	160	15	R 3/4" keg	45	28.0	16	27	27	GE-L-15-R 3/4"-k
L	315	18	R 3/8" keg	42	23.5	12	27	32	GE-L-18-R 3/8"-k
L	315	18	R 1/2" keg	42	25.5	14	27	32	GE-L-18-R 1/2"-k
L	160	18	R 3/4" keg	47	27.5	16	27	32	GE-L-18-R 3/4"-k
L	160	22	R 3/8" keg	46	25.5	12	32	36	GE-L-22-R 3/8"-k
L	160	22	R 1/2" keg	46	25.5	14	32	36	GE-L-22-R 1/2"-k
L	160	22	R 3/4" keg	46	29.5	16	32	36	GE-L-22-R 3/4"-k
L	160	22	R 1" keg	50	31.5	18	36	36	GE-L-22-R 1"-k
L	160	28	R 1/2" keg			14	41	41	GE-L-28-R 1/2"-k
L	160	28	R 3/4" keg	49	30.5	16	41	41	GE-L-28-R 3/4"-k
L	160	28	R 1" keg	49	32.5	18	41	41	GE-L-28-R 1"-k
L	160	28	R 1 1/4" keg	49	30.5	20	46	41	GE-L-28-R 1 1/4"-k
L	160	35	R 1" keg	51	27.5	18	46	50	GE-L-35-R 1"-k
L	160	35	R 1 1/4" keg	56	34.5	20	46	50	GE-L-35-R 1 1/4"-k
L	160	35	R 1 1/2" keg	63	37.5	22	50	50	GE-L-35-R 1 1/2"-k
L	160	42	R 1 1/4" keg	55	31.0	20	55	60	GE-L-42-R 1 1/4"-k
L	160	42	R 1 1/2" keg	61	38.0	22	55	60	GE-L-42-R 1 1/2"-k