



# 24° compression fittings to ISO 8434-1 / DIN 2354

Adjustable standpipe run tee with BSP parallel male stud

BOOK INDEX

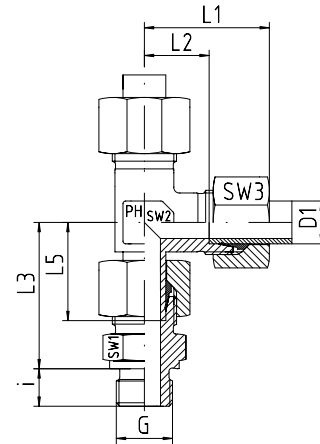
SECTION INDEX

to ISO 8434-1 / DIN 2353

L and S series

Form B sealing shoulder

The swivel female must be finally assembled with a 1/2 turn after torque increases.



Series	Pressure PN	Tube O.D. D1	Thread G	Approx. Dimensions								Part code
				L1	L2	L3	L5	i	SW1	SW2	SW3	
L	315	6	G 1/8"	27	12.0	34.5	26.0	8	14	12	14	EVL-L-06-G 1/8"
L	315	8	G 1/4"	29	14.0	37.5	27.5	12	19	12	17	EVL-L-08-G 1/4"
L	315	10	G 1/4"	30	15.0	40.0	29.0	12	19	14	19	EVL-L-10-G 1/4"
L	315	12	G 3/8"	32	17.0	42.0	29.5	12	22	17	22	EVL-L-12-G 3/8"
L	315	15	G 1/2"	36	21.0	46.5	32.5	14	27	19	27	EVL-L-15-G 1/2"
L	315	18	G 1/2"	40	23.5	50.0	35.5	14	27	24	32	EVL-L-18-G 1/2"
L	160	22	G 3/4"	44	27.5	55.0	38.5	16	32	27	36	EVL-L-22-G 3/4"
L	160	28	G 1"	47	30.5	61.0	43.5	18	41	36	41	EVL-L-28-G 1"
L	160	35	G 1 1/4"	56	34.5	71.5	54.0	20	50	41	50	EVL-L-35-G 1 1/4"
L	160	42	G 1 1/2"	63	40.0	75.0	56.0	22	55	50	60	EVL-L-42-G 1 1/2"

Series	Pressure PN	Tube O.D. D1	Thread G	Approx. Dimensions								Part code
				L1	L2	L3	L5	i	SW1	SW2	SW3	
S	630	6	G 1/4"	31	16.0	40.0	27.0	12	19	12	17	EVL-S-06-G 1/4"
S	630	8	G 1/4"	32	17.0	42.5	27.5	12	19	14	19	EVL-S-08-G 1/4"
S	630	10	G 3/8"	34	17.5	45.0	30.0	12	22	17	22	EVL-S-10-G 3/8"
S	630	12	G 3/8"	38	21.5	48.0	31.0	12	22	17	24	EVL-S-12-G 3/8"
S	630	14	G 1/2"	40	22.0	54.0	35.0	14	27	19	27	EVL-S-14-G 1/2"
S	400	16	G 1/2"	43	24.5	55.0	36.5	14	27	24	30	EVL-S-16-G 1/2"
S	400	20	G 3/4"	48	26.5	65.0	44.5	16	32	27	36	EVL-S-20-G 3/4"
S	400	25	G 1"	54	30.0	73.0	50.0	18	41	36	46	EVL-S-25-G 1"
S	400	30	G 1 1/4"	62	35.5	78.5	55.0	20	50	41	50	EVL-S-30-G 1 1/4"
S	250	38	G 1 1/2"	72	41.0	89.0	63.0	22	55	50	60	EVL-S-38-G 1 1/2"

Fittings can be supplied with nuts with silver-plated threads to help to prevent galling, or can be supplied body only - no nut or cutting ring.

If you require silver-plated nuts, use suffix -SC. If you require body only, use suffix -OMD.

Eg. EVL-L-12-G 3/8"-SC, or EVL-L-12-G 3/8"-OMD