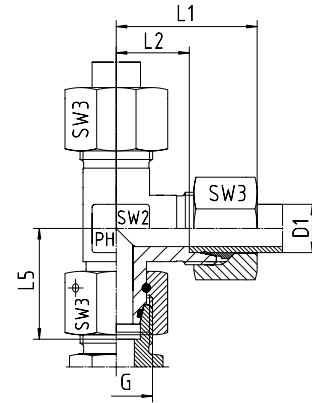


Adjustable female run tee

BOOK INDEX

SECTION INDEX

24° female and Viton O-ring
with a profile to W DIN 3861
BSP parallel male thread with
Viton elastomeric soft seal



Series	Pressure PN	Tube O.D. D1	Thread G	Approx. Dimensions					Part code
				L1	L2	L5	SW2	SW3	
L	500	6	M 12 x 1.5	27	12.0	26.0	12	14	EL-DKOL-06
L	500	8	M 14 x 1.5	29	14.0	27.5	12	17	EL-DKOL-08
L	500	10	M 16 x 1.5	30	15.0	29.0	14	19	EL-DKOL-10
L	400	12	M 18 x 1.5	32	17.0	29.5	17	22	EL-DKOL-12
L	400	15	M 22 x 1.5	36	21.0	32.5	19	27	EL-DKOL-15
L	400	18	M 26 x 1.5	40	23.5	35.5	24	32	EL-DKOL-18
L	250	22	M 30 x 2	44	27.5	38.5	27	36	EL-DKOL-22
L	250	28	M 36 x 2	47	30.5	41.5	36	41	EL-DKOL-28
L	250	35	M 45 x 2	56	34.5	51.0	41	50	EL-DKOL-35
L	250	42	M 52 x 2	63	40.0	56.0	50	60	EL-DKOL-42

Series	Pressure PN	Tube O.D. D1	Thread G	Approx. Dimensions					Part code
				L1	L2	L5	SW2	SW3	
S	800	6	M 14 x 1.5	31	16.0	27.0	12	17	EL-DKOS-06
S	800	8	M 16 x 1.5	32	17.0	27.5	14	19	EL-DKOS-08
S	800	10	M 18 x 1.5	34	17.5	30.0	17	22	EL-DKOS-10
S	630	12	M 20 x 1.5	38	21.5	31.0	17	24	EL-DKOS-12
S	630	14	M 22 x 1.5	40	22.0	35.0	19	27	EL-DKOS-14
S	630	16	M 24 x 1.5	43	24.5	36.5	24	30	EL-DKOS-16
S	420	20	M 30 x 2	48	26.5	44.5	27	36	EL-DKOS-20
S	420	25	M 36 x 2	54	30.0	50.0	36	46	EL-DKOS-25
S	420	30	M 42 x 2	62	35.5	55.0	41	50	EL-DKOS-30
S	420	38	M 52 x 2	72	41.0	63.0	50	60	EL-DKOS-38